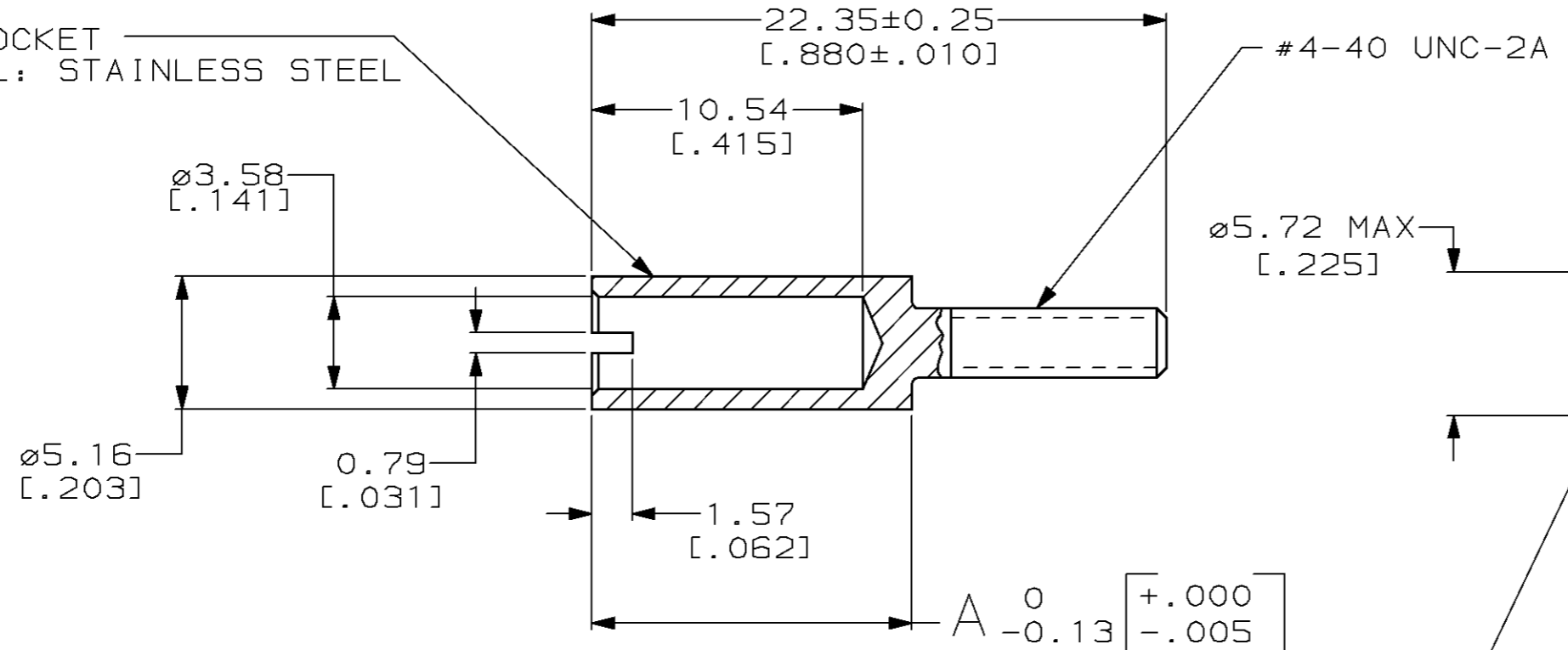


THIS DRAWING IS UNPUBLISHED. RELEASED FOR PUBLICATION, 19 .  
 © COPYRIGHT 19 BY AMP INCORPORATED. ALL RIGHTS RESERVED.

LOC	DIST	REVISIONS			
P	LTR	DESCRIPTION	DATE	DWN	APVD
BD	36	M	REDRAWN ON CAD W/O CHANGE PER EC 0020-1343-95	15 FEB 96	BC GS

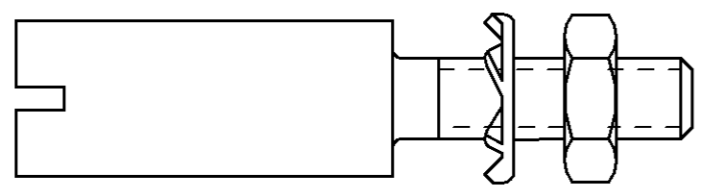
GUIDE SOCKET  
 MATERIAL: STAINLESS STEEL



LOCKWASHER  
 MATERIAL: STAINLESS STEEL  
 FINISH: PASSIVATED

NUT #4-40 UNC-2B  
 x 4.75 [0.187] ACROSS FLATS  
 MATERIAL: CARBON STEEL  
 FINISH: ZINC PLATED

11.94 [0.470]	203964-5
12.45 [0.490]	203964-1
A	PART NUMBER



ASSEMBLED VIEW

THIS DRAWING IS A CONTROLLED DOCUMENT FOR AMP INCORPORATED. IT IS SUBJECT TO CHANGE AND THE CONTROLLING ENGINEERING ORGANIZATION SHOULD BE CONTACTED FOR THE LATEST REVISION.		DWN B. CARBO	15 FEB 96	AMP Incorporated Harrisburg, PA 17105-3608
DIMENSIONS: mm [INCHES]		CHK R. STONE	20 FEB 96	
TOLERANCES UNLESS OTHERWISE SPECIFIED:		APVD G. STEINHAEUER	17 APR 96	
0 PLC ±- 1 PLC ±- 2 PLC ±0.38 [0.015] 3 PLC ±- 4 PLC ±- ANGLES ±-		PRODUCT SPEC	-	
MATERIAL SEE CALLOUTS		FINISH SEE CALLOUTS	WEIGHT -	NAME GUIDE SOCKET KIT, CORNER, UNASSEMBLED, MINIATURE RECTANGULAR M SERIES
CUSTOMER DRAWING		SCALE 4:1	SHEET 1 OF 1	DRAWING NO C-203964