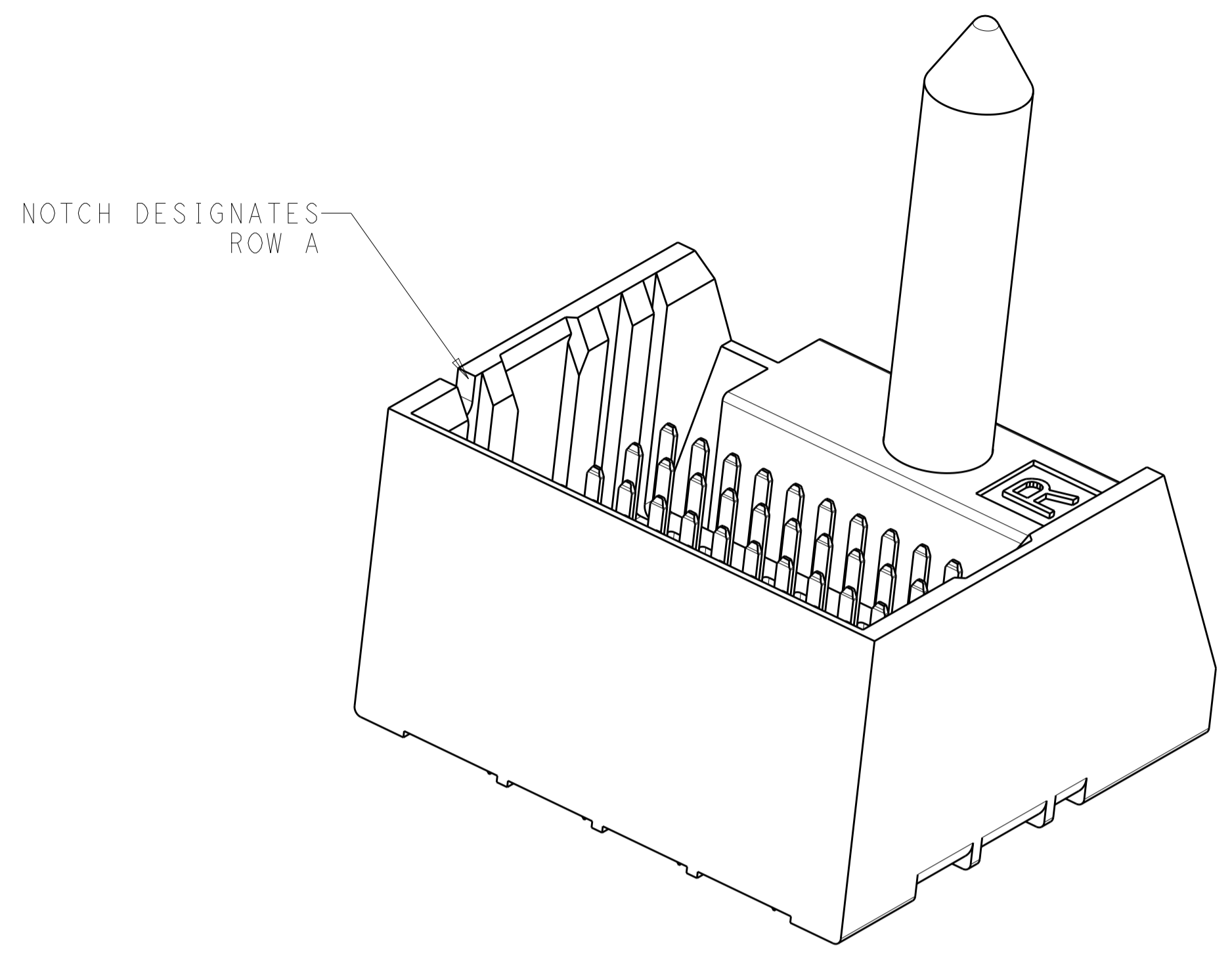
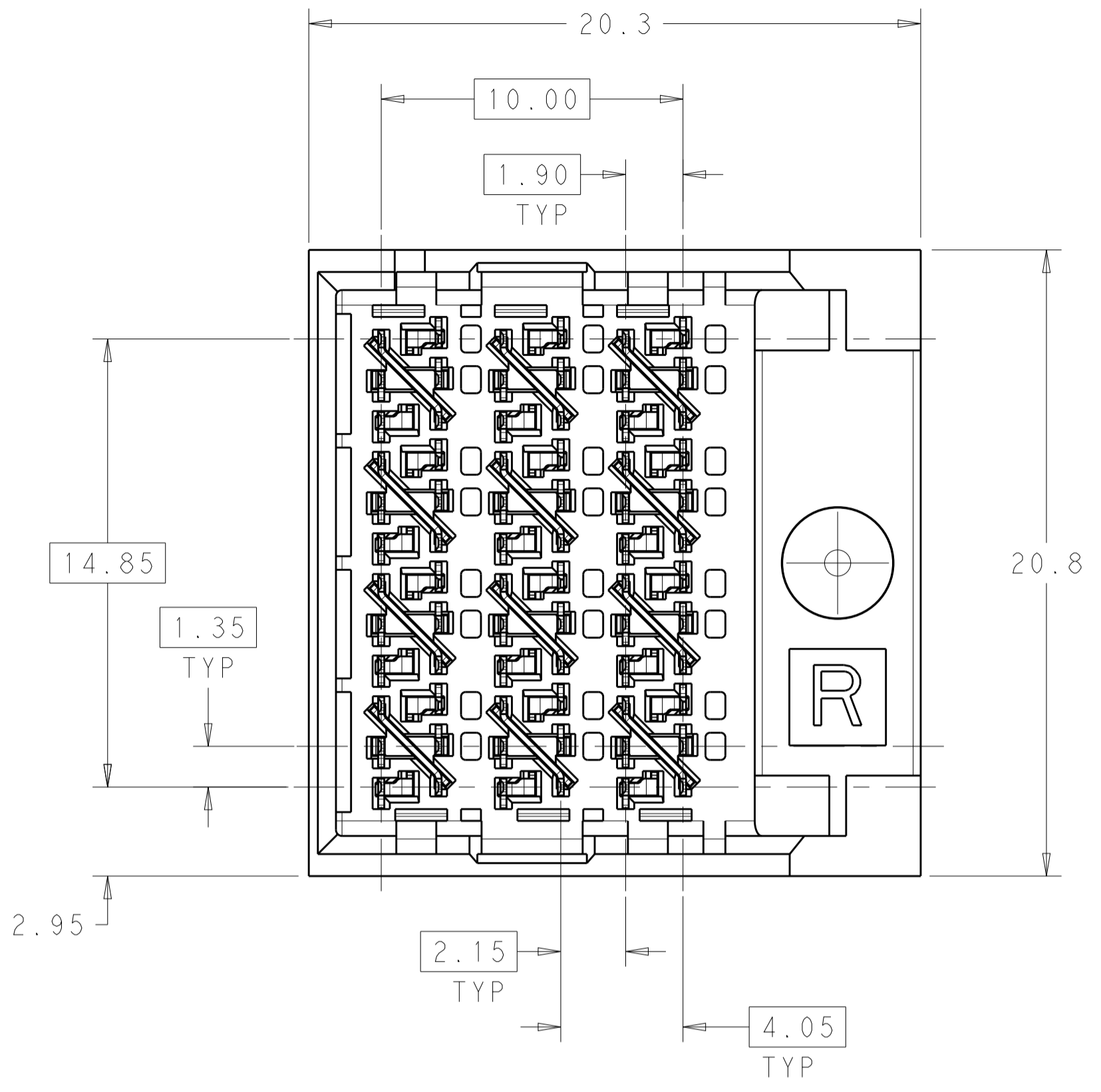
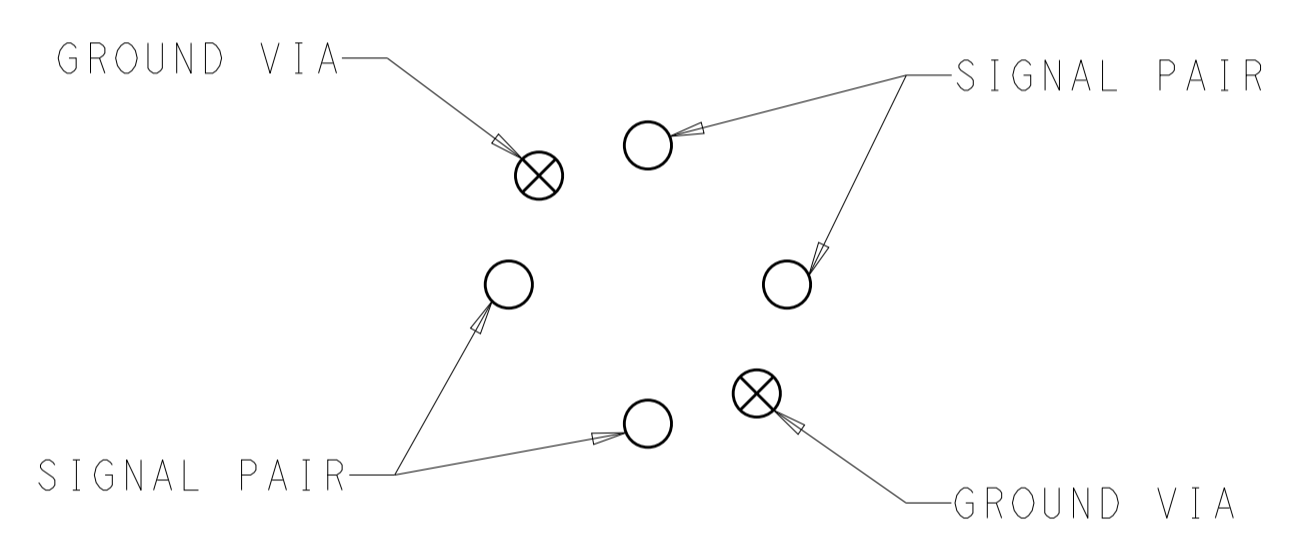


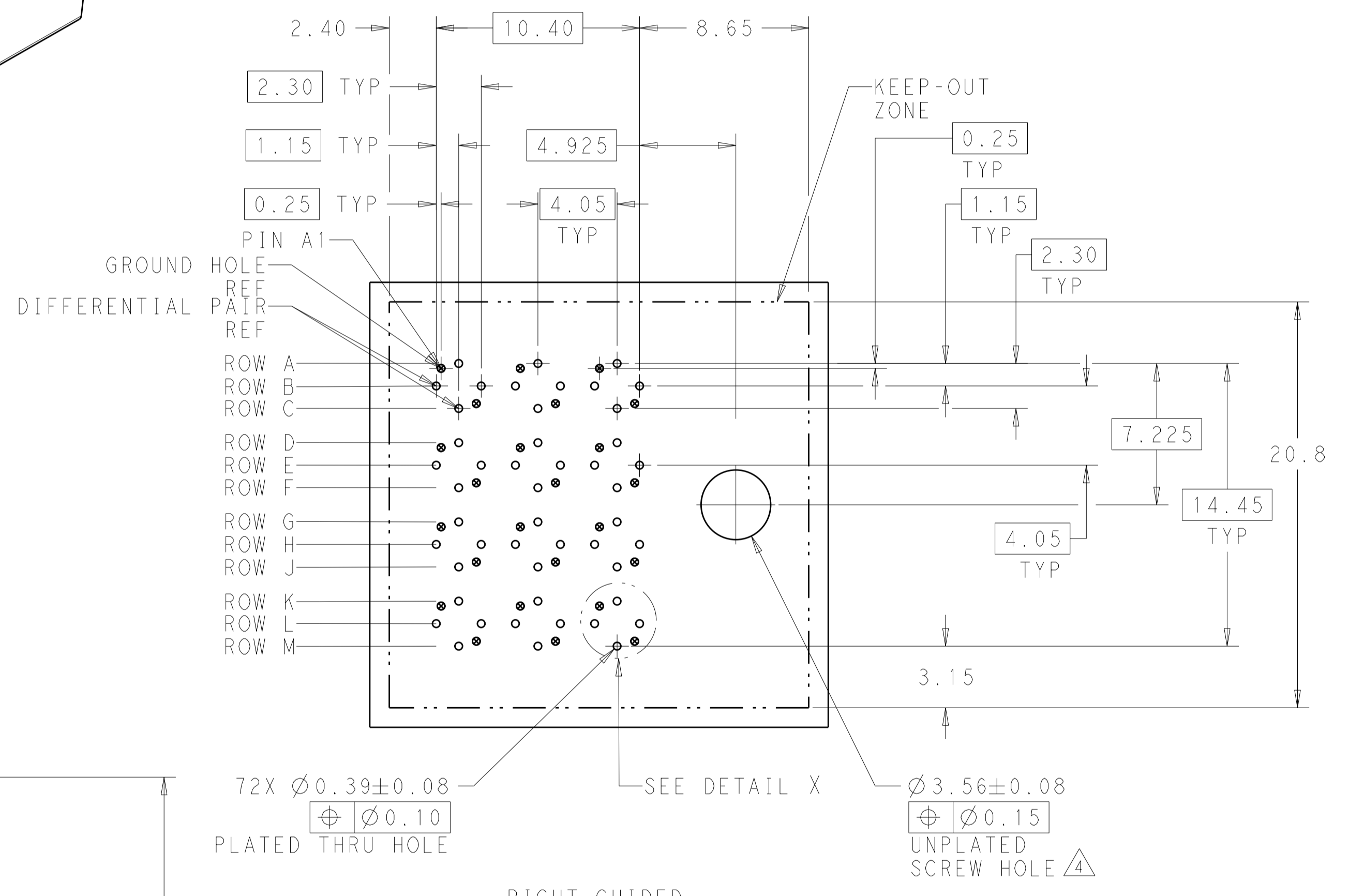
REVISIONS				
P.	LTN	DESCRIPTION	DATE	APPROV
C1		REVISED PER ECO-15-001489	31JAN2015	AP DD



- 1 MATERIAL:
HOUSING: LCP, GLASS FILLED, UL94V-0.
TERMINALS: HIGH PERFORMANCE COPPER ALLOY.
- 2 FINISH:
30µ" MIN GOLD IN CONTACT AREA. SELECTIVE TIN ON PCB TAILS, NICKEL OVERALL.
- 3. SCREWS PACKAGED IN END OF PACKAGING TUBE.
- 4 FOR GROUNDED GUIDE PIN USE $\varnothing 3.56 \pm 0.08$ PTH, $\varnothing 3.66$ DRILL, AND $\varnothing 6.5$ PAD.

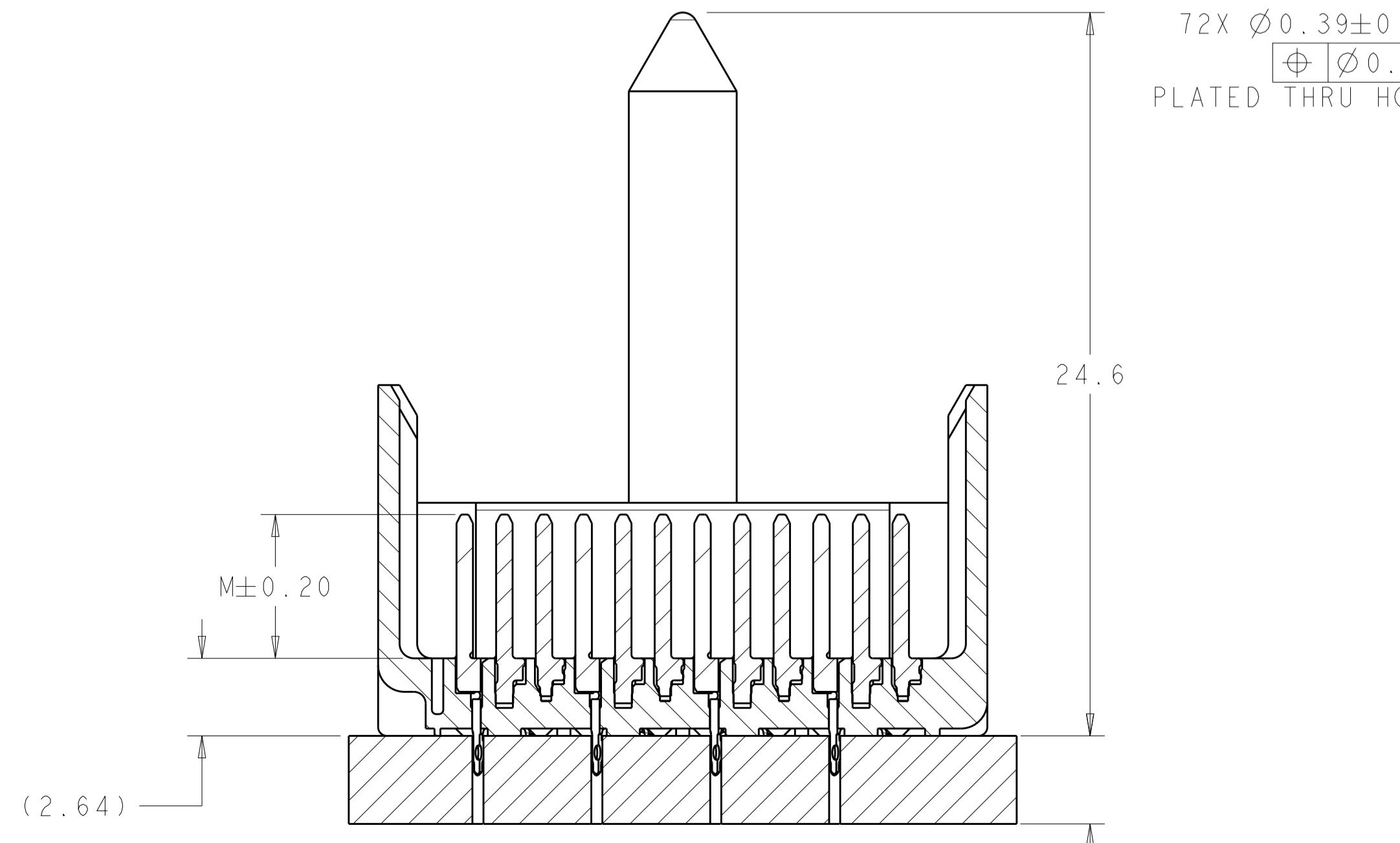
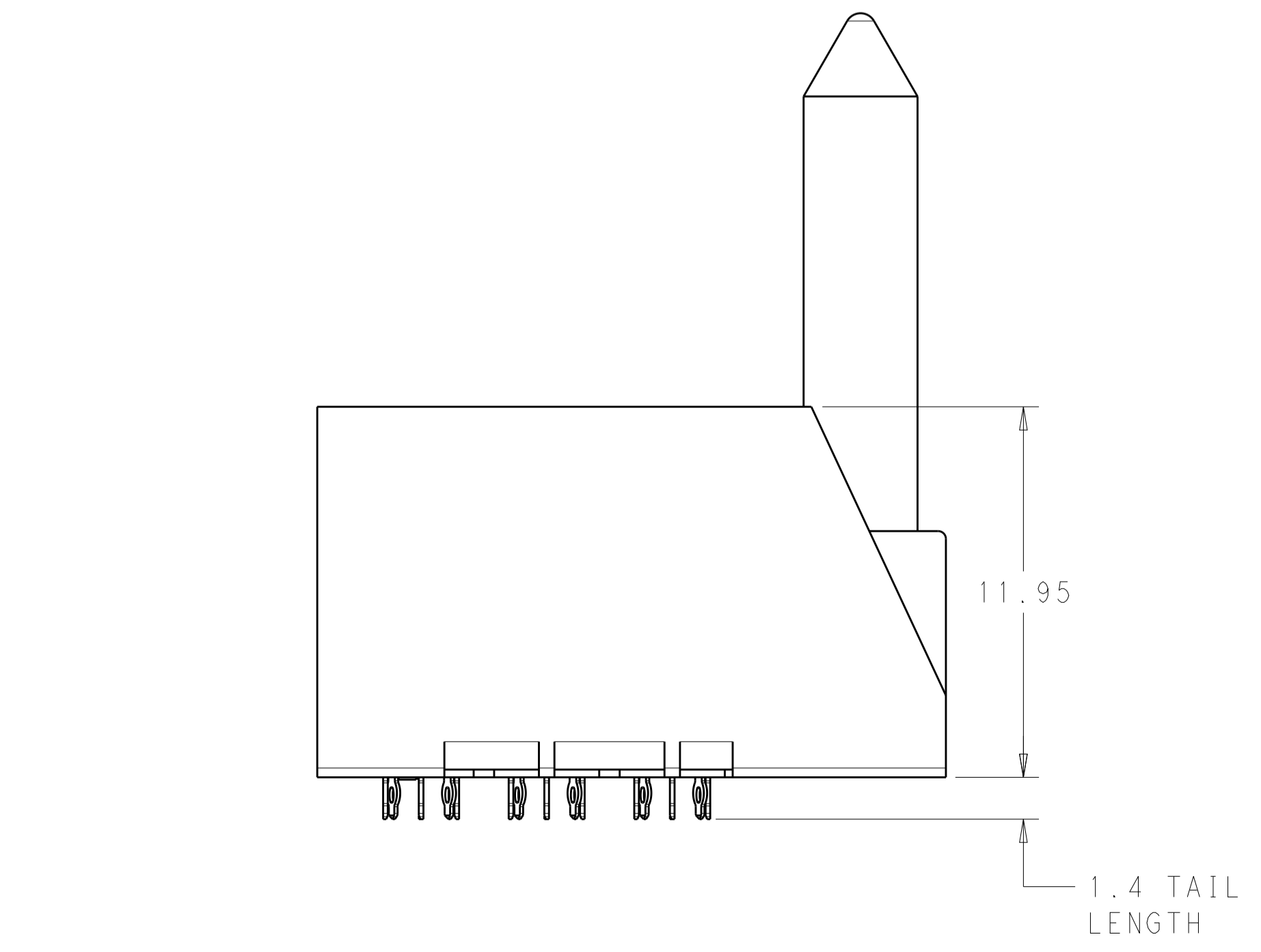


DETAIL X
SCALE 16:1



RIGHT GUIDED
BACKPLANE HOLE PATTERN
(CONNECTOR SIDE)

REFER TO WWW.TE.COM
FOR PRODUCT AVAILABILITY



SECTION X-X

2	5.5	2132596-2
2	4.9	2132596-1
FINISH	DIM M	PART NUMBER

THIS DRAWING IS A CONTROLLED DOCUMENT.		OWN: R. IRAN HOLA 18OCT2012	TE Connectivity	
DIMENSIONS: mm		CHK: D. DIXON 18OCT2012		
TOLERANCES UNLESS OTHERWISE SPECIFIED:		APPROV: D. DIXON 18OCT2012		
0 PLC	±	PRODUCT SPEC	NAME: IMPACT, ORTHOGONAL, 4 PAIR, 6 COLUMN HEADER, RIGHT GUIDED, LEFT END WALL SIGNAL MODULE, 0.39 PTH	
1 PLC	±0.25	APPLICATION SPEC	SIZE: CAGE CODE: DRAWING NO: RESTRICTED TO	
2 PLC	±0.13	WEIGHT	A100779C=2132596	
3 PLC	±	CUSTOMER DRAWING	SCALE: 6:1 SHEET 1 OF 1 REV: C1	
4 PLC	±			
ANGLES	±			
MATERIAL	SEE TABLE			