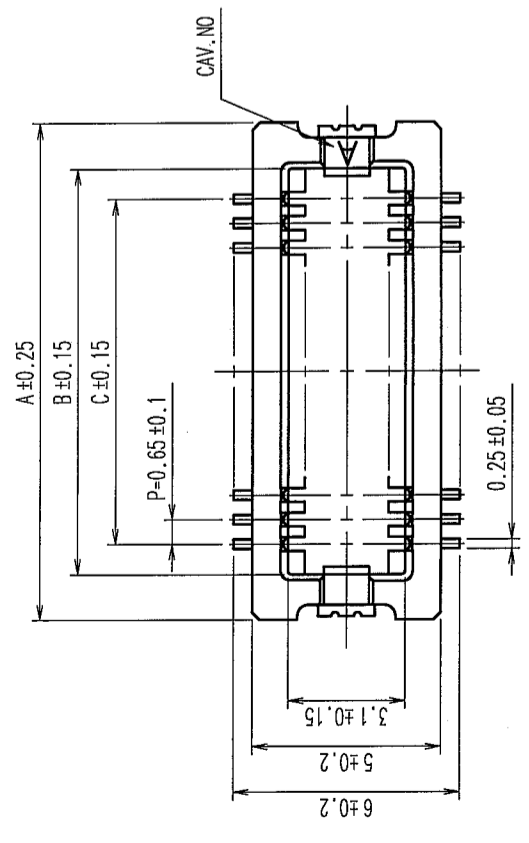
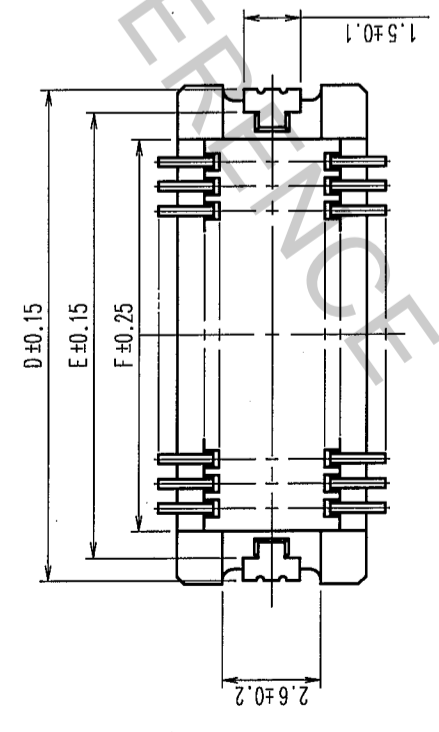
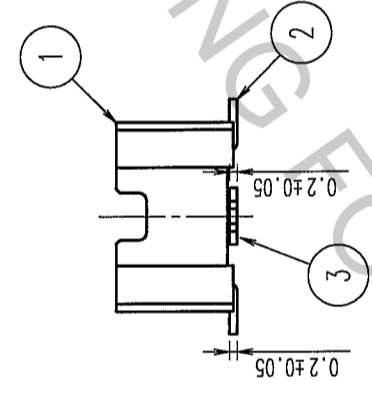
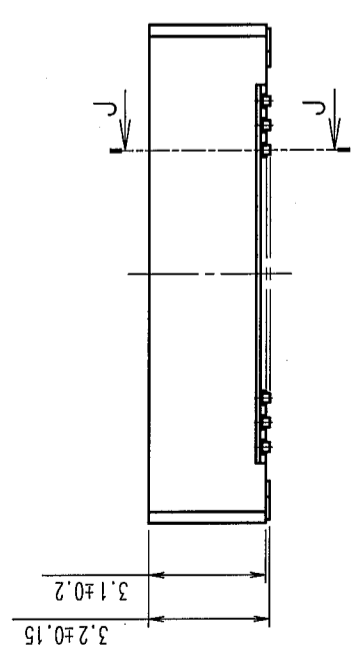
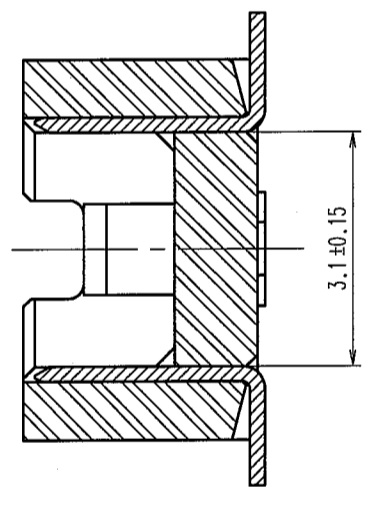


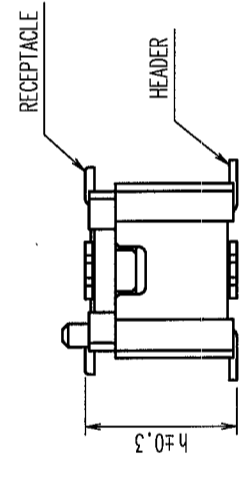
A B C D E F



J-J (10:1)

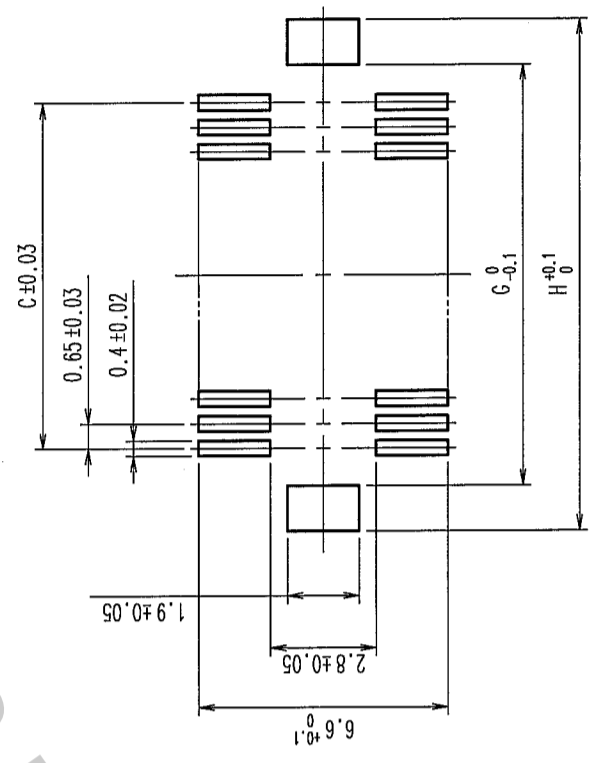


MATED HIGHT (h)	RECEPTACLE NO.	HEADER NO.
	DF15B(3.2)-*DP-0.65V(56)	4
	DF15#(0.8)-*DS-0.65V(**)	5
	DF15#(1.8)-*DS-0.65V(**)	



PART NO.	CODE NO.	CONTACT	A	B	C	D	E	F	G	H
DF15B(3.2)-20DP-0.65V(56)	CL677-0102-5-56	20	9.85	7.45	5.85	9.65	8.45	7.05	7.85	10.25
DF15B(3.2)-30DP-0.65V(56)	CL677-0103-8-56	30	13.1	10.7	9.1	12.9	11.7	10.3	11.1	13.5
DF15B(3.2)-40DP-0.65V(56)	CL677-0104-0-56	40	16.35	13.95	12.35	16.15	14.95	13.55	14.35	16.75
DF15B(3.2)-50DP-0.65V(56)	CL677-0105-3-56	50	19.6	17.2	15.6	19.4	18.2	16.8	17.6	20.0

RECOMMENDED PATTERN

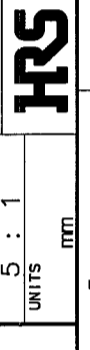


NOTES 1. LEAD CO-PLANARITY INCLUDE REINFORCED METAL FITTINGS SHALL BE 0.1 mm MAX.

NO.	MATERIAL	FINISH, REMARKS	DESIGNED	CHECKED	APPROVED	RELEASED
2	PHOSPHOR BRONZE	CONTACT AREA: GOLD PLATED 0.1μm min LEAD AREA: TIN PLATED 1μm min				
1	POLYAMIDE (PA6T)	UNDER PLATING: NICKEL PLATED 1μm min NATURAL (BEIGE), UL94V-0				
6	PS	BLACK (PLASTIC REEL)				
5	POLYESTER	CLEAR (COVER TAPE)				
4	PS	CLEAR (EMBOSSED CARRIER TAPE)				
3	BRASS	SURFACE: TIN PLATED 1μm min UNDER PLATING: NICKEL PLATED 1μm min				

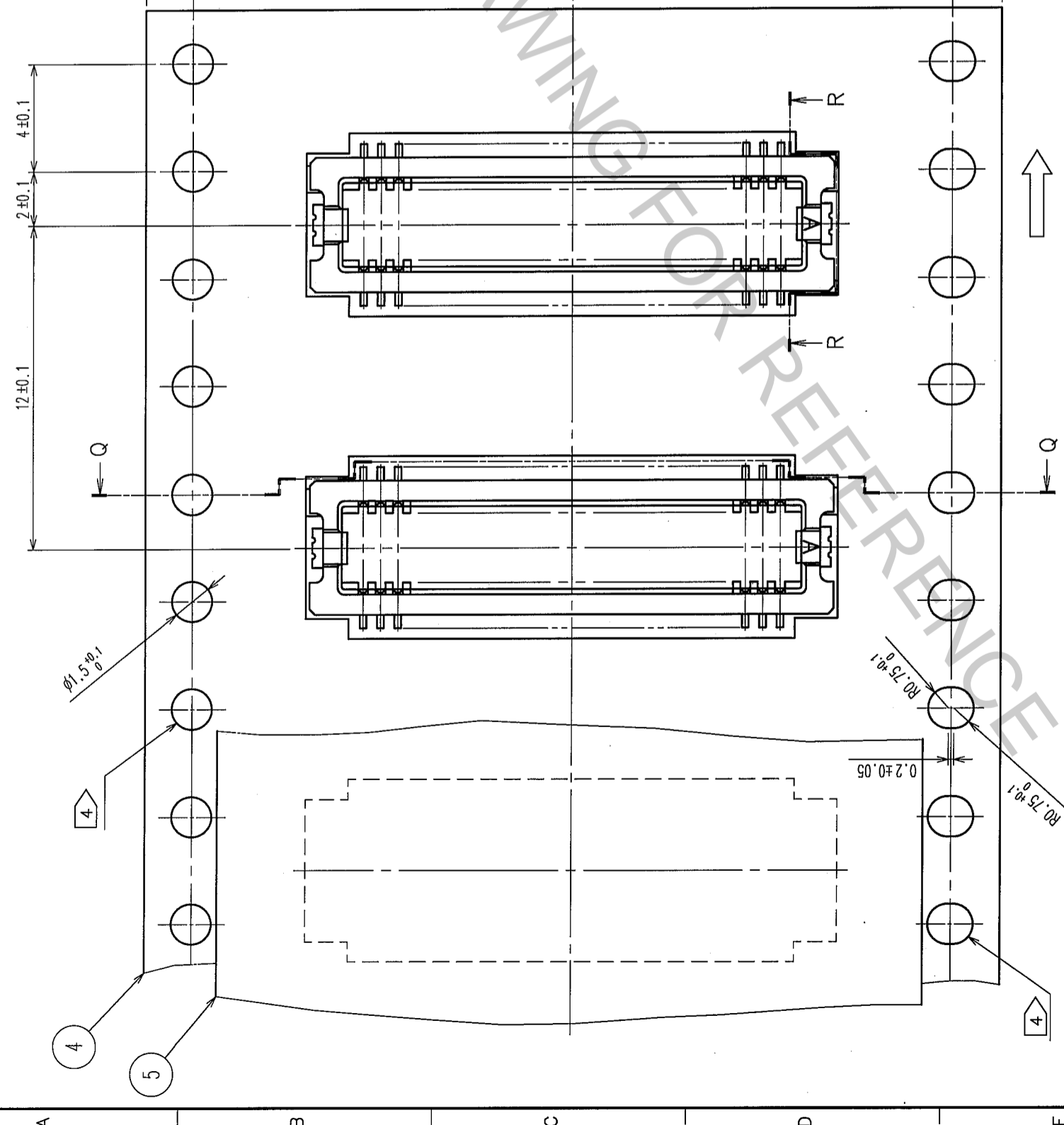
NO.	MATERIAL	FINISH, REMARKS	DESIGNED	CHECKED	APPROVED	RELEASED
DRAWN: A. Mochizuki DESIGNED: J. Mochizuki CHECKED: M. Nakamura DATE: 16.02.14 06.02.14						

DRAWING NO.	EDC3-302775-08	PART NO.	DF15B(3.2)-*DP-0.65V(56)
SCALE	5:1	CODE NO.	CL677
UNITS	mm		

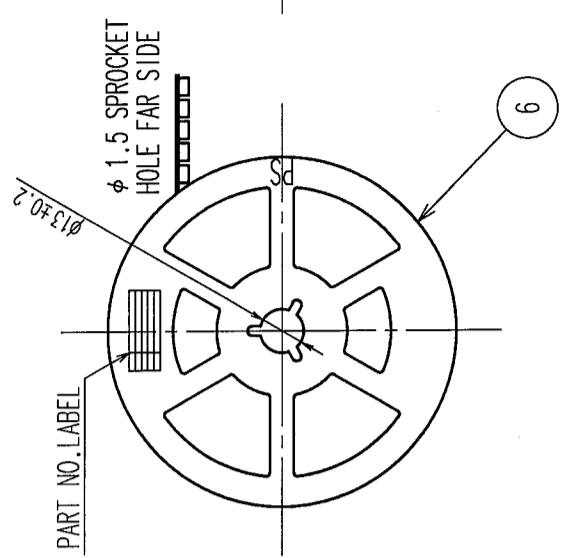


In case that the application demands a high level of reliability such as automotive, please contact a company representative for further information.

NO.	DATE	BY	CHKD	COUNT	DESCRIPTION OF REVISIONS	BY	CHKD	DATE



STYLE AND DIMENSION OF REEL (FREE)

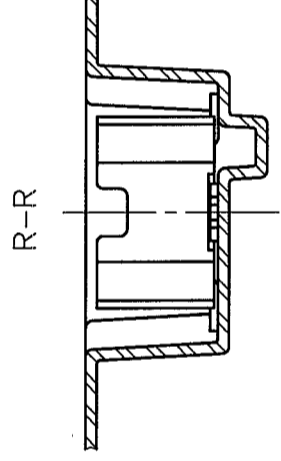


DETAIL OF PART NO. LABEL

SUPPLIER	年 月 日
QUANTITY	CL677-***-56
PART NO.	DF15B(3.2)-*DP-0.5V(56)
CODE NO.	1000 Ko
DATE OF MANUFACTURED	ヒロセ電機(株)

- NOTES
- 2 : 1 REEL : 1000 CONNECTORS.
 - 3 : AT THE BEGINNING OF THE REEL, 30 COMPONENTS SHALL BE EMPTY.
AT THE END OF THE REEL, 20 COMPONENTS SHALL BE EMPTY.
 - 4 : WHEN THE TAPE WIDTH IS 32mm, SPROCKET HOLES SHALL BE SET ON BOTH SIDES OF REEL AS SHOWN ON THIS DRAWING.
 - 5 : PEEL FORCE REFERS TO JIS C 0806.

DIRECTION OF UNREELING



PART No.	CODE No.	K	L	M	N	P
DF15B(3.2)-20DP-0.65V(56)	CL677-0102-5-56	16.0	-	7.5	10.15	17.5
DF15B(3.2)-30DP-0.65V(56)	CL677-0103-8-56	24.0	-	11.5	13.4	25.5
DF15B(3.2)-40DP-0.65V(56)	CL677-0104-0-56	24.0	-	11.5	16.65	25.5
DF15B(3.2)-50DP-0.65V(56)	CL677-0105-3-56	32.0	28.4	14.2	19.9	33.5

CODE NO. (OLD)

SCALE 5 : 1

UNITS mm

DRAWING NO. EDC3-302775-08

PART NO. DF15B(3.2)-*DP-0.65V(56)

CODE NO. CL677

DESIGNED: J. Michino

CHECKED: J. Michino

APPROVED: J. Michino

RELEASED: J. Michino

DATE: 06.02.14