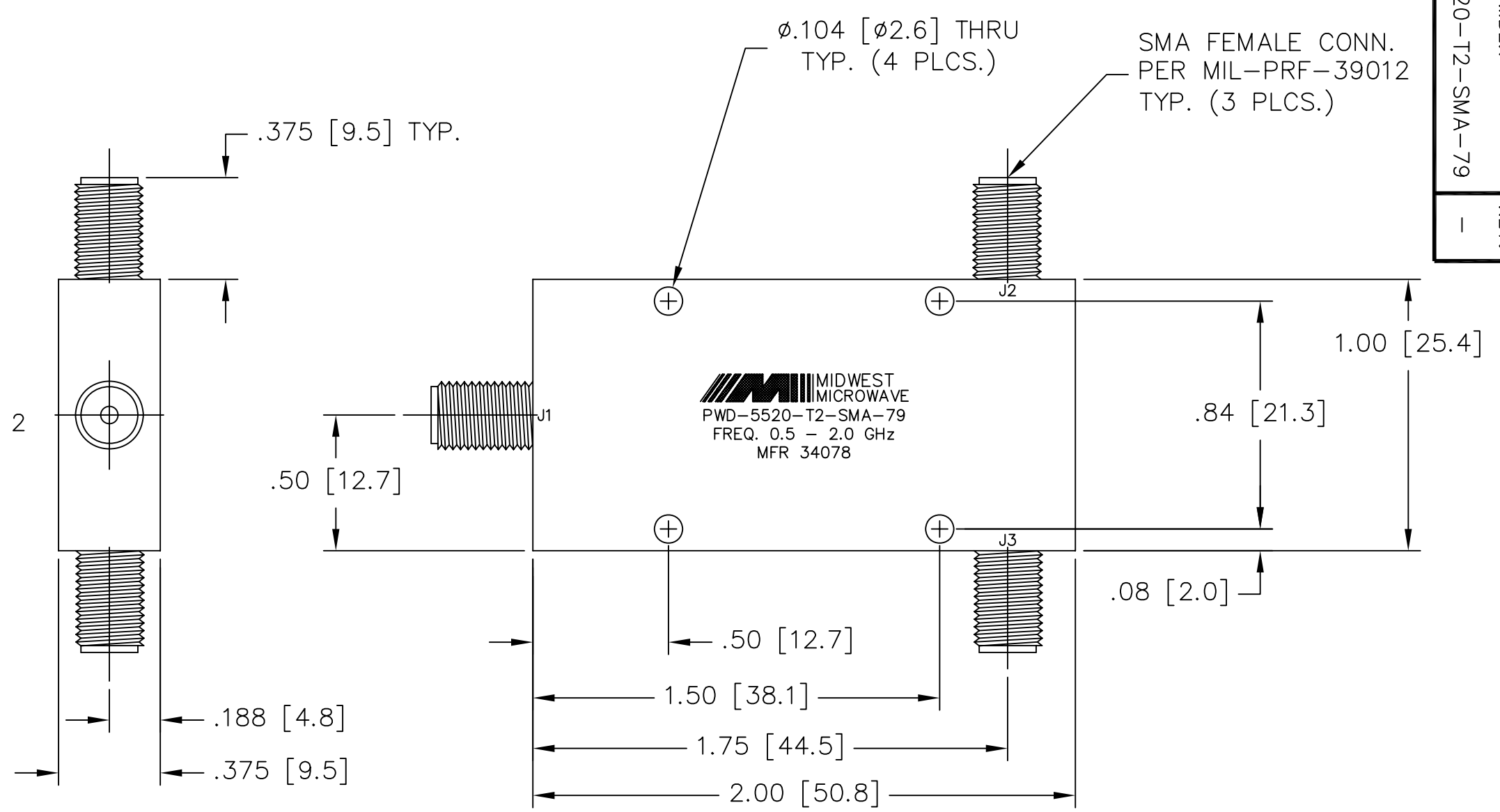


- NOTES:
- 1.0 ELECTRICAL SPECIFICATIONS:
    - 1.1 FREQUENCY RANGE: 0.5 to 2.0 GHz
    - 1.2 INSERTION LOSS: 0.5dB MAX.
    - 1.3 ISOLATION: 20dB MIN.
    - 1.4 VSWR (MAX): 1.25:1
    - 1.5 OUTPUT UNBALANCE:
      - 1.5.1 AMPLITUDE: 0.2dB MAX.
      - 1.5.2 PHASE: 4.0° MAX.
    - 1.6 MAX. INPUT POWER: 3 WATTS  
WITH OUTPUT LOAD VSWR ≤ 2.0:1
    - 1.7 OPERATING TEMP. RANGE:  
-65°C to +125°C

- 2.0 FINISH
  - 2.1 EPOXY SEAL WITH EMERSON-CUMING  
ECCOBOND 45 EPOXY & CATALYST 15
  - 2.2 GREY OVER MIL-E-15090 TYPE II, CLASS 2  
OVER MIL-C-5541 CLASS 3A  
MEETS MIL-F-14072  
MEETS MIL-E-5400 AND MIL-E-16400V.

- 3.0 DATA: (NO DATA REQUIRED)
- 4.0 DIMENSIONS IN PARENTHESIS ARE  
IN MILLIMETERS.
- 5.0 MARKING: MARK UNIT AS SHOWN  
(REF.: SLK-08066-82-01)



UNLESS OTHERWISE NOTED DIMENSIONS ARE IN INCHES AND TOLERANCES ARE:	FSCM NO.	34078 <b>MIDWEST MICROWAVE</b>	
	3 PLACE DECIMALS ±.005 2 PLACE DECIMALS ±.02 FRACTIONS ±1/64 PARALLELITY: T.I.R. _____ FLATNESS: T.I.R. _____ CONCENTRICITY: T.I.R. _____ ANGLES AND PERPENDICULARITY: ±1°	NOTICE: The information contained in this drawing is proprietary and must not be used without the permission of Midwest Microwave	
	TITLE		POWER DIVIDER
	DRAWING NUMBER		PWD-5520-T2-SMA-79
	SCALE: 2=1	SHEET 1 of 1	

DATE	2/5/03
DESCRIPTION	RELEASED
REV.	-