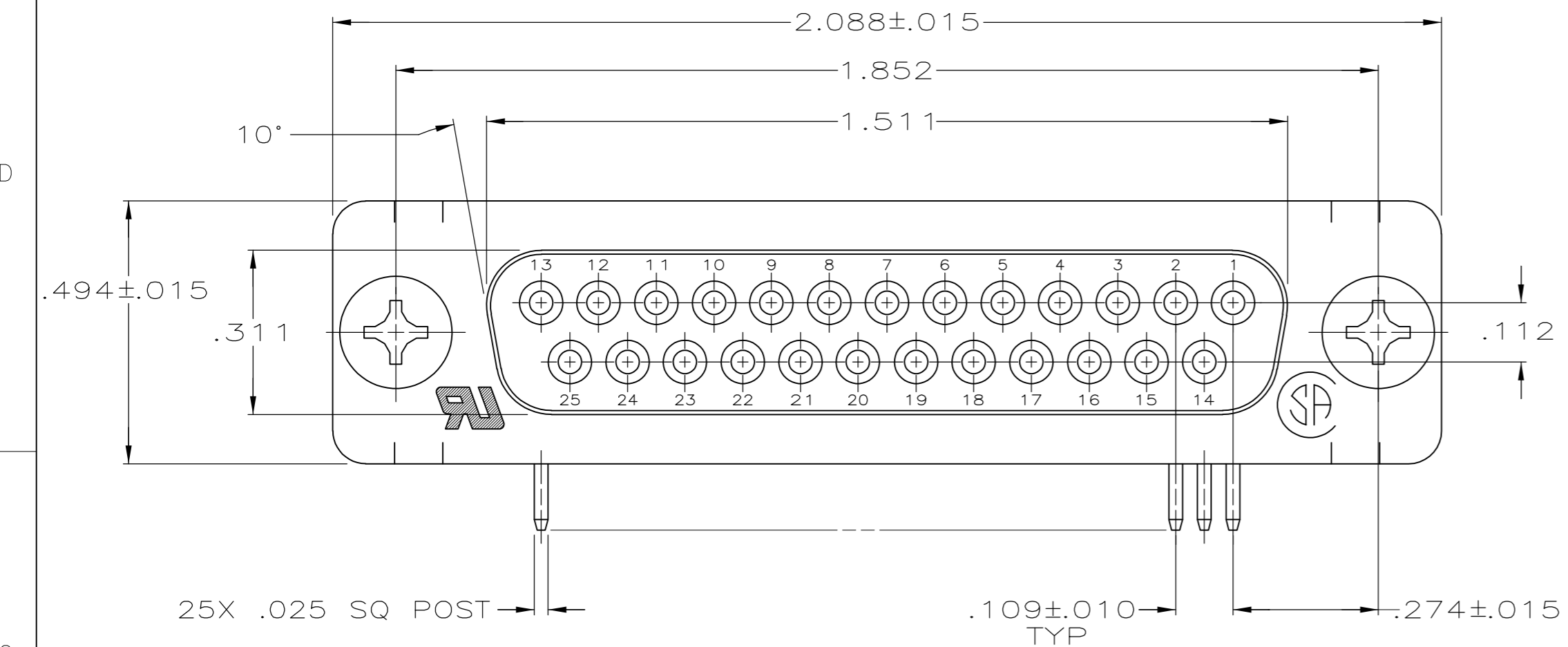
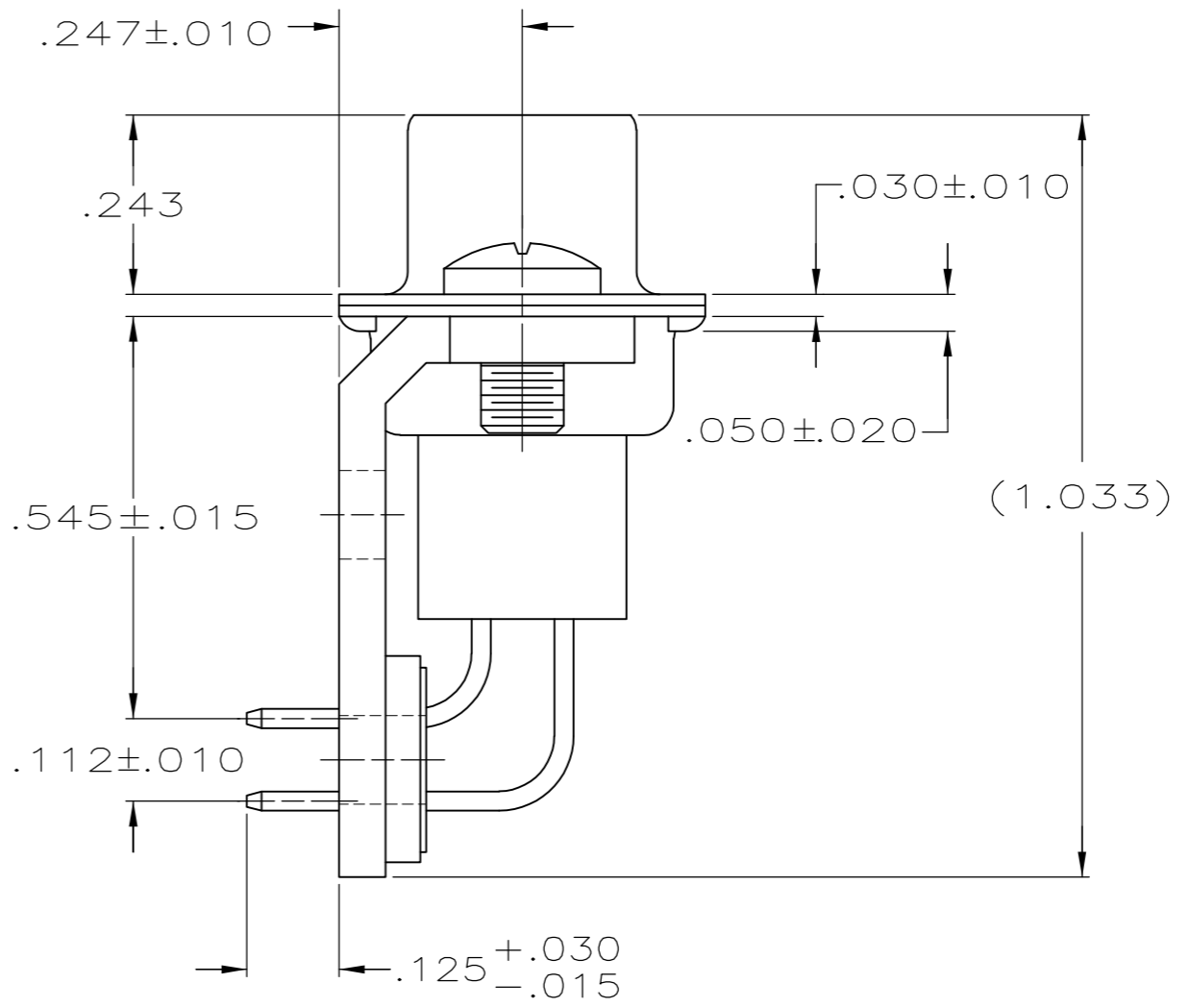
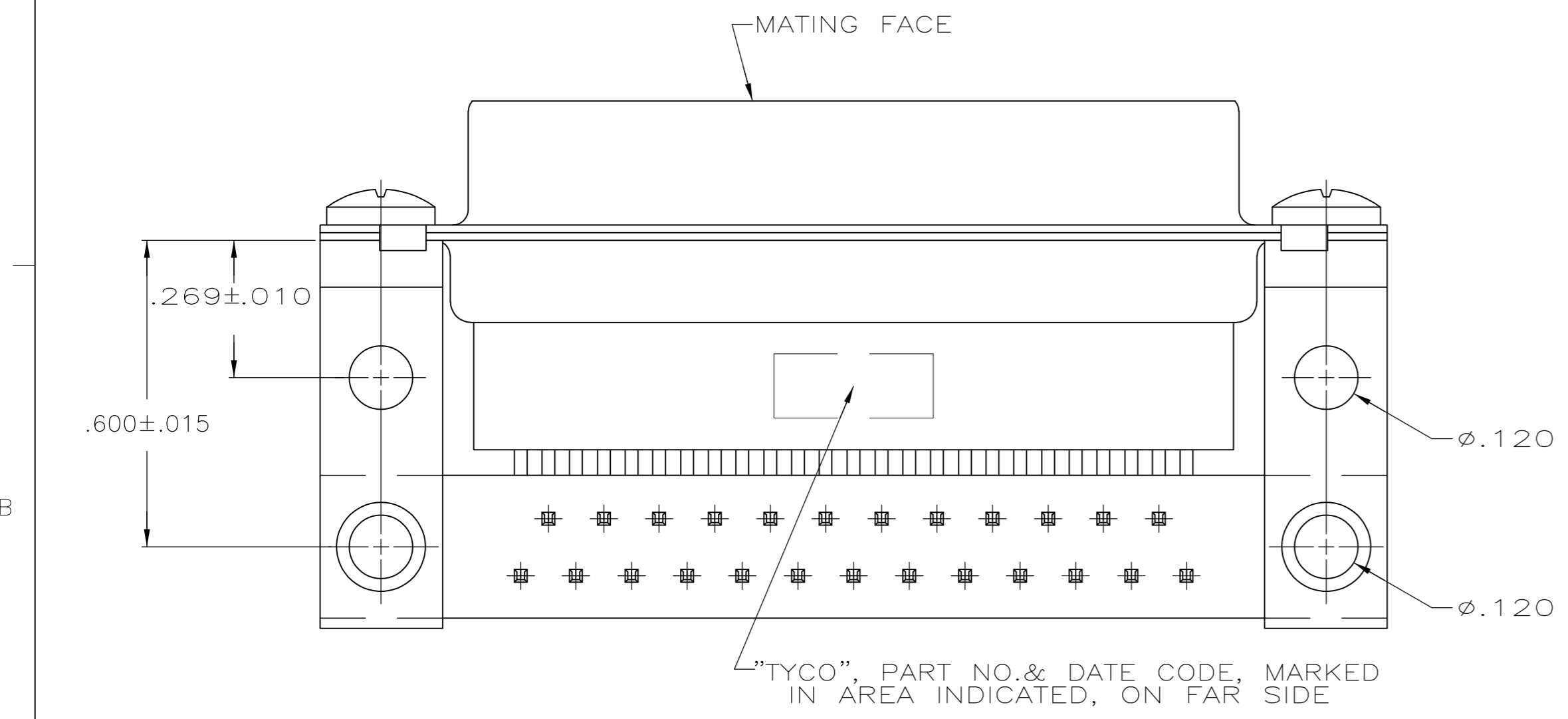


THIS DRAWING IS UNPUBLISHED. RELEASED FOR PUBLICATION  
 © COPYRIGHT 2005 By - ALL RIGHTS RESERVED.

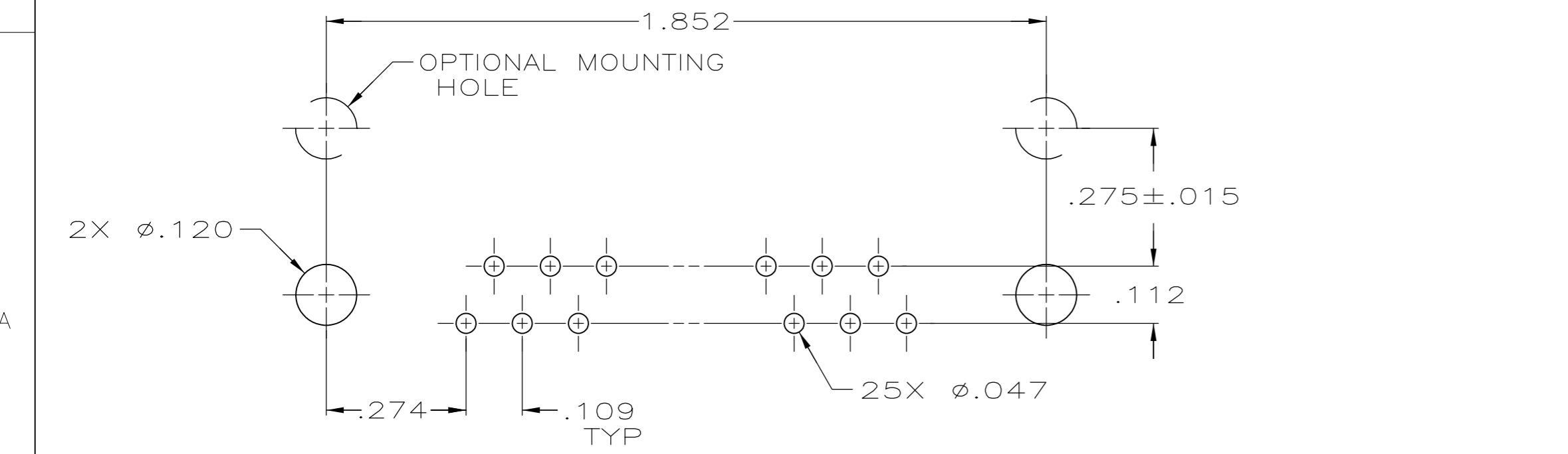
LOC		DIST		REVISIONS			
P	LTR	DESCRIPTION		DATE	DWN	APVD	
GP	00	B		REVISED PER ECO-14-011808	11AUG2014	AP	SB



- 1 MOLDED PARTS: GLASS-FILLED PBT OR GLASS-FILLED NYLON, UL94V-0 RATED. COLOR BLACK.  
SHELLS & BRACKETS: CARBON STEEL  
CONTACTS: PHOS BRONZE
- 2 SHELLS & BRACKETS: .000200 MIN ZINC WITH YELLOW CHROMATE COATING.  
CONTACTS: GOLD FLASH PLATED FOR LENGTH OF .100 MIN FROM MATING END, .000100 MIN TIN ON SOLDER END, BOTH OVER .000050 MIN NICKEL.
- 3 SHELLS & BRACKETS: .000200 MIN ZINC WITH YELLOW CHROMATE COATING.  
CONTACTS: GOLD PLATED FOR LENGTH OF .100 MIN FROM MATING END, .000030 MIN GOLD IN MATED AREA, .000100 MIN TIN ON SOLDER END, BOTH OVER .000050 MIN NICKEL.  
OR  
GOLD FLASH OVER PALLADIUM NICKEL PLATED FOR LENGTH OF .100 MIN FROM MATING END, .000030 MIN PALLADIUM NICKEL IN MATED AREA, .000100 MIN TIN ON SOLDER END, BOTH OVER .000050 MIN NICKEL.



4 OBSOLETE PARTS: OBSOLETE CIS STREAMLINING PER D.RENAUD/D.SINISI



4 OBSOLETE	3	5205858-2
	2	5205858-1
CONTACT FINISH		PART NUMBER

THIS DRAWING IS A CONTROLLED DOCUMENT.		DWN D. HENNY 8-21-05	TE Connectivity	
DIMENSIONS: INCHES		CHK S. BOLASH 8-21-05	NAME RECEPTACLE ASSEMBLY, SIZE 3, 25 POSITION, RIGHT ANGLE, .545 SERIES, .025 SQ. POSTS, AMPLIMITE HDP	
TOLERANCES UNLESS OTHERWISE SPECIFIED:		APVD M. WALMSLEY 8-21-05	PRODUCT SPEC 108-40025	
0 PLC ± -		APPLICATION SPEC 114-40013		
1 PLC ± -		SIZE A2		
2 PLC ± -		CAGE CODE 00779		
3 PLC ± .005		DRAWING NO C=5205858		
4 PLC ± -		RESTRICTED TO -		
ANGLES ± 2°		WEIGHT -		
FINISH		SCALE 4:1		
1	2 3	SHEET 1 of 1		
CUSTOMER DRAWING		REV B		