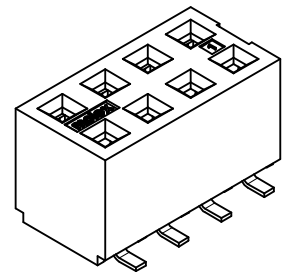
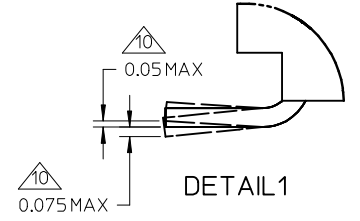
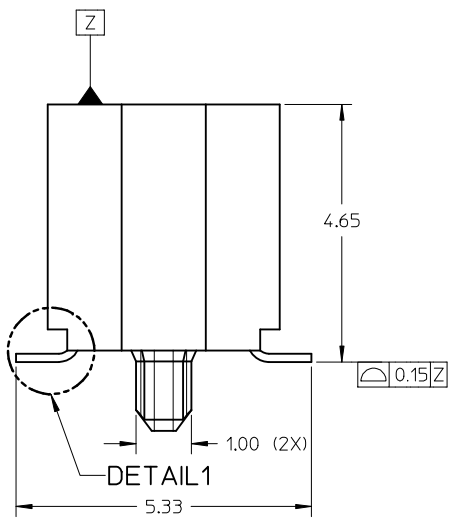
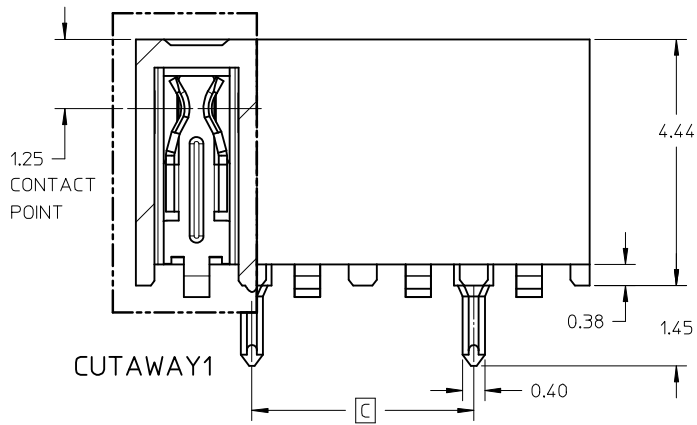
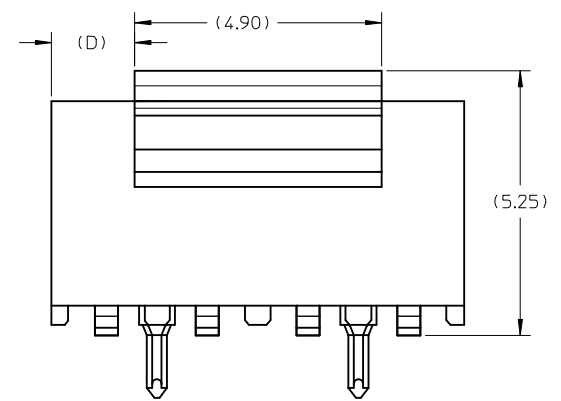
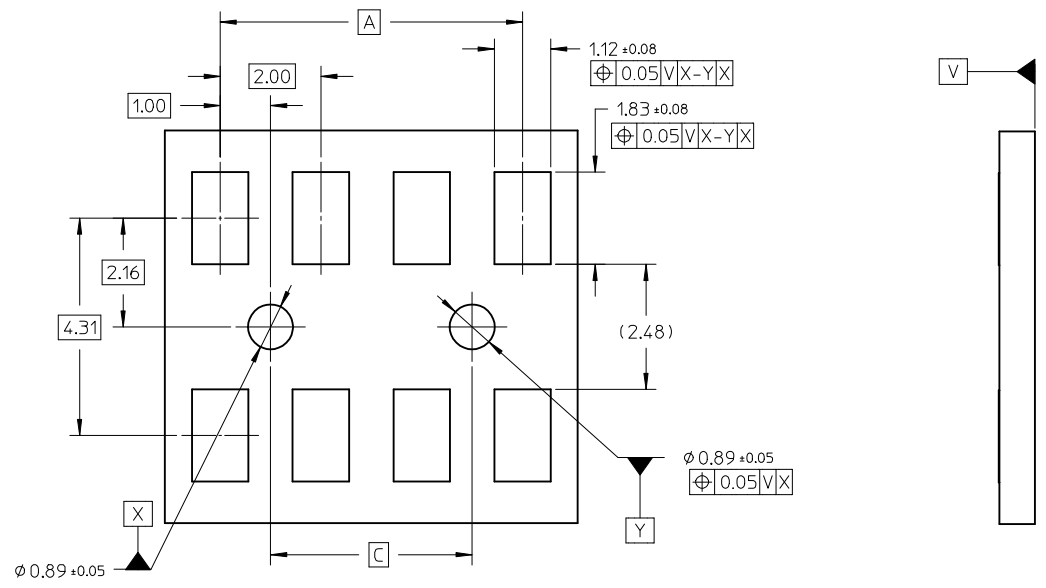


- NOTES:
- MATERIALS:  
HOUSING: LCP, GLASS FILLED, UL94V-0, BLACK  
TERMINAL: COPPER ALLOY  
CAP: NYLON, GLASS FILLED, BLACK
  - FINISHES: 2.50µM TIN OVER 1.25µM NICKEL UNDERPLATE
  - PRODUCT SPECIFICATION: PS-78788-001
  - PACKAGING SPECIFICATION: SEE TABLE
  - MATES WITH: 87758, 87759, 87760, 87831, 87832, 87833
  - MOLEX LOGO AND CAVITY ID IS LOCATED APPROXIMATELY AS SHOWN
  - FOR ILLUSTRATION, 8 CIRCUITS IS SHOWN
  - CIRCUIT NUMBERS ARE COUNTED FROM LEFT TO RIGHT ON TOP VIEW WITH RECESSED GATE ALWAYS ON THE RIGHT
  - SEE SHEET 2 FOR CIRCUIT SIZE PART NUMBER & DIMENSIONS
  - MEASUREMENT IS TAKEN BETWEEN THE TANGENT OF THE TOE TO TIP OF THE TERMINAL



UPDATE T&R STATUS EC NO: S2016-0396 DRWN:GMENARLY 2015/10/22 CHYKD:CGOH 2015/11/26 APPR:KHLIM 2015/12/01	QUALITY SYMBOLS $F_A=0$ $F_C=0$ $F_P=0$	GENERAL TOLERANCES (UNLESS SPECIFIED)		DIMENSION STYLE MM ONLY		SCALE NTS	DESIGN UNITS METRIC	THIRD ANGLE PROJECTION		
			mm	INCH	DRAWN BY	DATE	TITLE			
		4 PLACES	± ---	± ---	GMENARLY	2012/11/16	SALES DRAWING 2MM DUAL ROW, SMT W/ PEG MILLIGRID VERT RECEPT <b>molex</b>			
		3 PLACES	± ---	± ---	CHECKED BY	DATE				
2 PLACES	± 0.25	± ---	SCHEONG	2013/05/31	DOCUMENT NO. SD-78788-001					
1 PLACE	± ---	± ---	APPROVED BY	DATE						
0 PLACE	± ---	± ---	BOKOK	2013/06/03	SHEET NO. 1 OF 3					
ANGULAR ± 3 °		DRAFT WHERE APPLICABLE MUST REMAIN WITHIN DIMENSIONS		MATERIAL NO. SEE TABLE					THIS DRAWING CONTAINS INFORMATION THAT IS PROPRIETARY TO MOLEX INCORPORATED AND SHOULD NOT BE USED WITHOUT WRITTEN PERMISSION	
A1	REV			SIZE	A3					

10 9 8 7 6 5 4 3 2 1



<b>UPDATE T&amp;R STATUS</b> EC NO: S2016-0396 DRWING: GMENARLY 2015/10/22 CHKD: CGOH 2015/11/26 APPR: KHLIM 2015/12/01	QUALITY SYMBOLS $F_A=0$ $F_G=0$ $F_P=0$	GENERAL TOLERANCES (UNLESS SPECIFIED) <table border="1"> <thead> <tr> <th></th> <th>mm</th> <th>INCH</th> </tr> </thead> <tbody> <tr> <td>4 PLACES</td> <td>± ---</td> <td>± ---</td> </tr> <tr> <td>3 PLACES</td> <td>± ---</td> <td>± ---</td> </tr> <tr> <td>2 PLACES</td> <td>± 0.25</td> <td>± ---</td> </tr> <tr> <td>1 PLACE</td> <td>± ---</td> <td>± ---</td> </tr> <tr> <td>0 PLACE</td> <td>± ---</td> <td>± ---</td> </tr> </tbody> </table>		mm	INCH	4 PLACES	± ---	± ---	3 PLACES	± ---	± ---	2 PLACES	± 0.25	± ---	1 PLACE	± ---	± ---	0 PLACE	± ---	± ---	DIMENSION STYLE <b>MM ONLY</b> DRAWN BY: GMENARLY DATE: 2012/11/16 CHECKED BY: SCHEONG DATE: 2013/05/31 APPROVED BY: BOKOK DATE: 2013/06/03	SCALE <b>NTS</b>	DESIGN UNITS <b>METRIC</b>	THIRD ANGLE PROJECTION	TITLE <b>SALES DRAWING</b> <b>2MM DUAL ROW, SMT W/ PEG</b> <b>MILLIGRID VERT RECEPT</b>
		mm	INCH																						
	4 PLACES	± ---	± ---																						
	3 PLACES	± ---	± ---																						
2 PLACES	± 0.25	± ---																							
1 PLACE	± ---	± ---																							
0 PLACE	± ---	± ---																							
	ANGULAR ± 3 ° DRAFT WHERE APPLICABLE MUST REMAIN WITHIN DIMENSIONS	MATERIAL NO. <b>SEE TABLE</b>	DOCUMENT NO. <b>SD-78788-001</b>	SHEET NO. <b>2 OF 3</b>																					
		SIZE <b>A3</b>	THIS DRAWING CONTAINS INFORMATION THAT IS PROPRIETARY TO MOLEX INCORPORATED AND SHOULD NOT BE USED WITHOUT WRITTEN PERMISSION																						
<b>A1</b>	REV																								

9 8 7 6 5 4 3 2 1

	10	9	8	7	6	5	4	3	2	1			
F	CIRCUIT NUMBER	PART NUMBER WITH CAP IN T&R	TOOLED	PART NUMBER WITHOUT CAP IN T&R	TOOLED	PART NUMBER WITH CAP IN TUBE	TOOLED	PART NUMBER WITHOUT CAP IN TUBE	TOOLED	DIM A	DIM B	DIM C	DIM D (WITH CAP OPTION)
	6	78788-0611	NO	78788-0612	NO	78788-0613		78788-0614		4	6.19	2	0.65
	8	78788-0811	YES	78788-0812	YES	78788-0813		78788-0814		6	8.19	4	1.65
	10	78788-1011	YES	78788-1012	YES	78788-1013		78788-1014		8	10.19	6	2.65
	12	78788-1211	YES	78788-1212	YES	78788-1213		78788-1214		10	12.19	8	3.65
	14	78788-1411	YES	78788-1412	YES	78788-1413		78788-1414		12	14.19	10	4.65
	16	78788-1611	YES	78788-1612	YES	78788-1613		78788-1614		14	16.19	12	5.65
	18	78788-1811	YES	78788-1812	YES	78788-1813		78788-1814		16	18.19	14	6.65
E	20	78788-2011	YES	78788-2012	YES	78788-2013		78788-2014		18	20.19	16	7.65
	22	78788-2211	NO	78788-2212	NO	78788-2213		78788-2214		20	22.19	18	8.65
	24	78788-2411	YES	78788-2412	YES	78788-2413		78788-2414		22	24.19	20	9.65
	26	78788-2611	NO	78788-2612	NO	78788-2613	YES	78788-2614	YES	24	26.19	22	10.65
	28	78788-2811	NO	78788-2812	NO	78788-2813		78788-2814		26	28.19	24	11.65
	30	78788-3011	YES	78788-3012	YES	78788-3013		78788-3014		28	30.19	26	12.65
	32	78788-3211	NO	78788-3212	NO	78788-3213		78788-3214		30	32.19	28	13.65
	34	78788-3411	NO	78788-3412	NO	78788-3413		78788-3414		32	34.19	30	14.65
D	36	78788-3611	NO	78788-3612	NO	78788-3613		78788-3614		34	36.19	32	15.65
	38	78788-3811	NO	78788-3812	NO	78788-3813		78788-3814		36	38.19	34	16.65
	40	78788-4011	YES	78788-4012	YES	78788-4013		78788-4014		38	40.19	36	17.65
	42	78788-4211	NO	78788-4212	NO	78788-4213		78788-4214		40	42.19	38	18.65
	44	78788-4411	NO	78788-4412	NO	78788-4413		78788-4414		42	44.19	40	19.65
	46	78788-4611	NO	78788-4612	NO	78788-4613		78788-4614		44	46.19	42	20.65
	48	78788-4811	NO	78788-4812	NO	78788-4813		78788-4814		46	48.19	44	21.65
C	50	78788-5011	YES	78788-5012	YES	78788-5013		78788-5014		48	50.19	46	22.65

PART NUMBER LEGEND

78788 - XXXX

CIRCUIT NUMBER

1. WITH PEG

- 1. CAP IN TAPE & REEL
- 2. WITHOUT CAP IN TAPE & REEL
- 3. CAP IN TUBE
- 4. WITHOUT CAP IN TUBE

PACKAGING SPECIFICATION

PART NUMBER	PACKAGING SPECIFICATION
78788-XX11	PK-78788-001
78788-XX12	PK-78788-002
78788-XX13	PK-78788-003
78788-XX14	PK-78788-004

UPDATE T&R STATUS EC NO: S2016-0396 DRW:GMENARLY 2015/10/22 CHKD:CGOH 2015/11/26 APPR:KHLIM 2015/12/01	QUALITY SYMBOLS	GENERAL TOLERANCES (UNLESS SPECIFIED)	DIMENSION STYLE	SCALE	DESIGN UNITS	THIRD ANGLE PROJECTION
	$F_A=0$	mm INCH	MM ONLY	NTS	METRIC	
	$F_G=0$	4 PLACES ± --- ± ---	DRAWN BY DATE	TITLE		
	$F_P=0$	3 PLACES ± --- ± ---	CHECKED BY DATE	SALES DRAWING		
	2 PLACES ± 0.25 ± ---	APPROVED BY DATE	2MM DUAL ROW, SMT W/ PEG			
	1 PLACE ± --- ± ---	MATERIAL NO. DOCUMENT NO.	MILLIGRID VERT RECEPT			
	0 PLACE ± --- ± ---	SEE TABLE	molex			
	ANGULAR ± 3°	THIS DRAWING CONTAINS INFORMATION THAT IS PROPRIETARY TO MOLEX INCORPORATED AND SHOULD NOT BE USED WITHOUT WRITTEN PERMISSION	SD-78788-001			
	DRAFT WHERE APPLICABLE MUST REMAIN WITHIN DIMENSIONS		3 OF 3			