

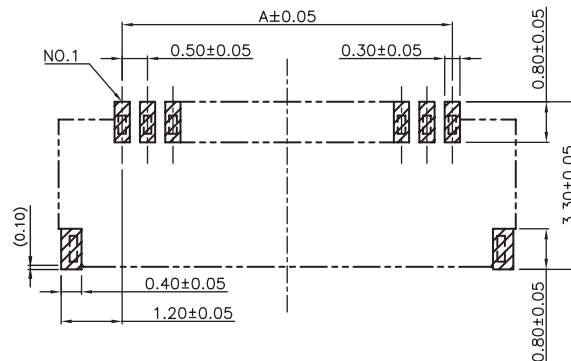
1

2

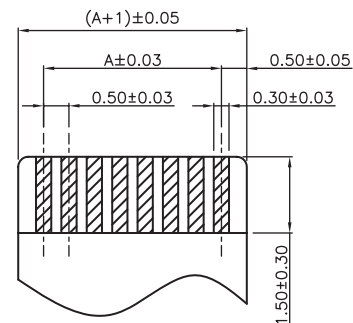
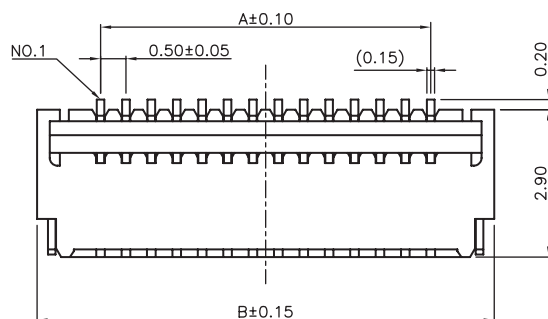
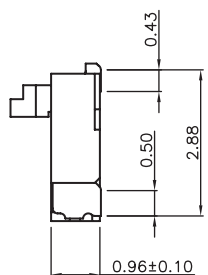
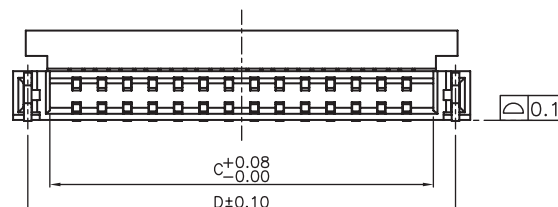
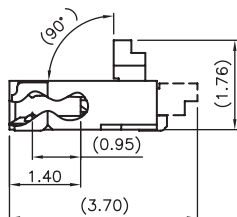
3

4

5



RECOMMENDED PCB LAYOUT



(THICKNESS = 0.31 ± 0.03 MM)
APPLICABLE FFC/FPC DIM.

TECHNICAL CHARACTERISTICS

MATERIAL
INSULATOR: LCP
FLAMMABILITY RATING: UL94-V0
COLOUR: IVORY
CONTACT MATERIAL: PHOSPHOR BRONZE
CONTACT PLATING: $80 \mu\text{m}$ MAT TIN OVER $50 \mu\text{m}$ NICKEL
CONTACT TYPE: STAMPED
TAB MATERIAL: BRASS
TAB PLATING: $80 \mu\text{m}$ MAT TIN OVER $50 \mu\text{m}$ NICKEL
TAB TYPE: STAMPED
ACTUATOR MATERIAL: PA9T
ACTUATOR COLOUR: BLACK
QUALITY CLASS: 20 MATING CYCLES
PITCH: 0.50 MM

ENVIRONMENTAL
OPERATING TEMPERATURE: -55°C UP TO $+85^\circ\text{C}$
COMPLIANCE: ROHS AND HALOGEN FREE

ELECTRICAL
CURRENT RATING: 0.5 A
WORKING VOLTAGE: 50 VAC
WITHSTANDING VOLTAGE: 0.25 KVAC/min
CONTACT RESISTANCE: 30 mOHM
INSULATION RESISTANCE: $>500 \text{ M}\Omega$

STANDARD
CERTIFIED: E323964

SOLDERING
JEDEC LEAD FREE REFLOW SOLDERING

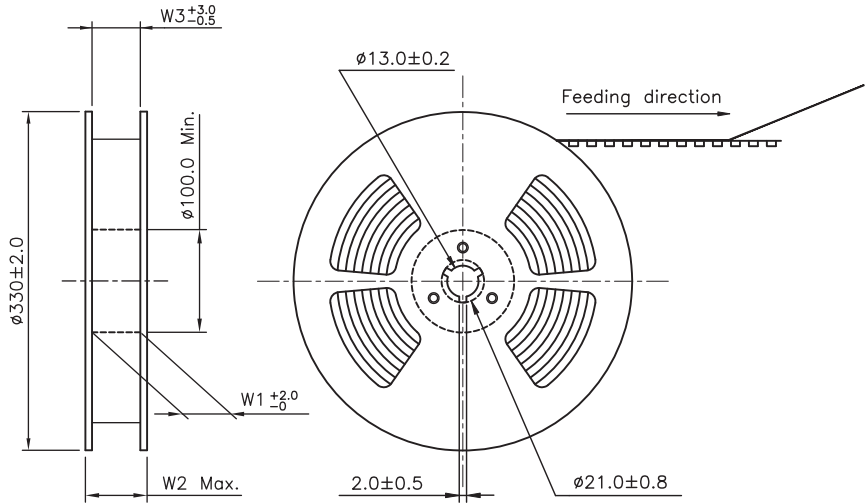
PACKAGING
TAPE AND REEL

AVAILABLE POLARITIES
06, 08, 10, 12, 14, 16, 17, 18, 20, 22, 24, 26, 28, 30, 34,
36, 40, 45, 50

DIMENSION:
A = $0.50 \times (\text{NB PINS} - 1)$
B = $(0.50 \times \text{NB PINS}) + 2$
C = A + 1.05
D = C + 0.87

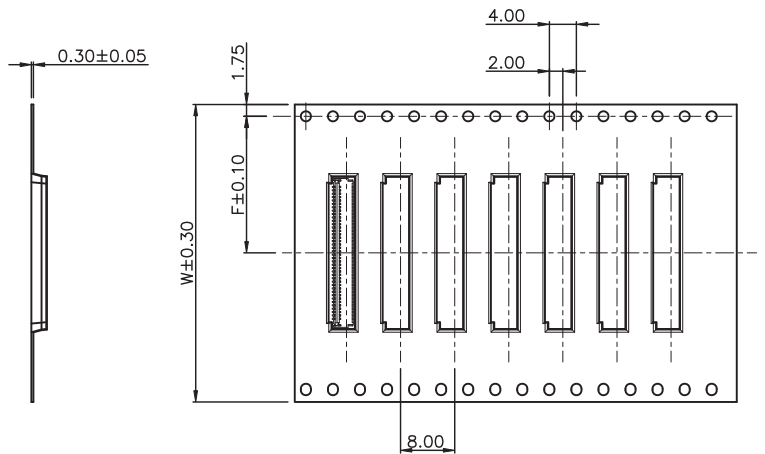
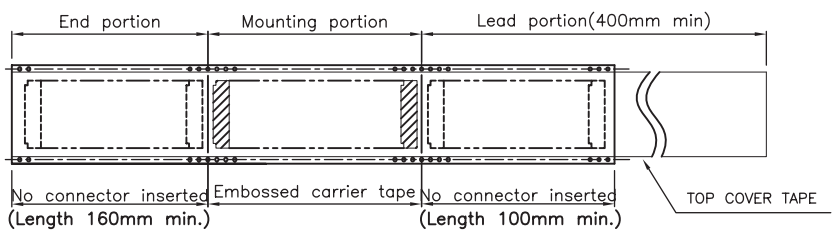
RoHS Compliant

G	F	E	D	C	B	A	REV	DATE	FILE	BY
		07-SEP-16	04-APR-16	29-FEB-16	07-DEC-15	08-JUN-15				
		CERTIFIED	DRAWING / TPK	COTE FFC	TPK/WARNING/TEMP	PDF				
		AK	AK	AK	AK	AK				
PROJECTION:										
GENERAL TOLERANCE										
.X = ± 0.2										
.XX = ± 0.15										
APPROVAL: GMo										
UNIT: MM										
SCALE:										
SHEET: 1/3										
DRAW: AK										
DESCRIPTION: CONFCPI - 0.5 MM PITCH HORIZONTAL DUAL CONTACT, BACK FLIP ACTUATOR										
WERI PART NO: 687 1xx 182 122										
SIZE										
A4										

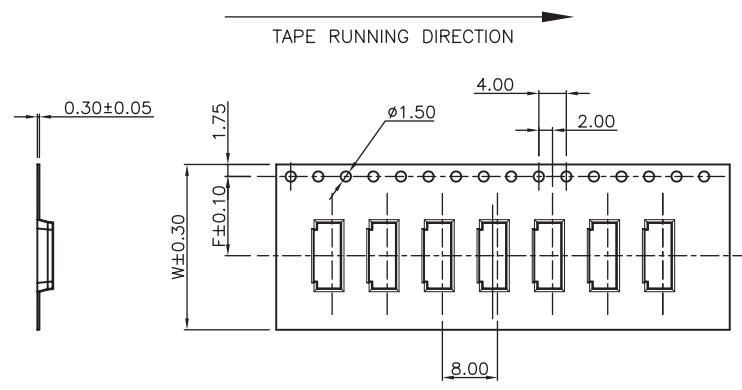


Quantity: 3500 PCS/REEL

Circuits	Dimension					Packing (Reel/Carton)
	W	F	W1	W2	W3	
4-11	16.0(.630)	7.50(.295)	16.5(.650)	22.5(.885)	16.5(.650)	11
12-27	24.0(.945)	11.50(.453)	24.5(.965)	30.5(1.200)	24.5(.965)	9
28-39	32.0(1.260)	14.20(.559)	32.5(1.280)	38.5(1.516)	32.5(1.280)	7
40~50	44.0(1.732)	20.20(.795)	44.5(1.752)	50.5(1.988)	44.5(1.752)	5



WIDTH : 32, 44 mm Carrier



WIDTH : 16, 24 mm Carrier

RoHS Compliant				PROJECTION: 	GENERAL TOLERANCE .X = +/- 0.2 .XX = +/- 0.15		DESCRIPTION: CONFPCI - 0.5 MM PITCH HORIZONTAL DUAL CONTACT, BACK FLIP ACTUATOR WERI PART NO: 687 1xx 182 122	SIZE A4
G								
F								
E								
D								
C				APPROVAL: GMo	UNIT: MM			
B					SCALE:			
A					SHEET: 2/3			
REV	DATE	FILE	BY		DRAW: AK			

1

2

3

4

5

Cautions and Warnings:

This electronic component is designed and developed with the intention for use in general electronics equipments.

Before incorporating the components into any equipments in the field such as aerospace, aviation, nuclear control, submarine, transportation, (automotive control, train control, ship control), transportation signal, disaster prevention, medical, public information network etc. where higher safety and reliability are especially required or if there is possibility of direct damage or injury to human body, Würth Elektronik must be asked for a written approval.

In addition, even electronic component in general electronic equipments, when used in electrical circuits that require high safety, reliability functions or performance, the sufficient reliability evaluation-check for the safety must be performed before by the user before usage.

A

B

C

RoHS Compliant

PROJECTION:



GENERAL TOLERANCE

.X = +/- 0.2

.XX = +/- 0.15



APPROVAL: JC

UNIT: MM

SCALE:

SHEET: 3/3

DRAW: QL



DESCRIPTION: DISCLAIMER

WERI PART NO: DISCLAIMER

SIZE

A4

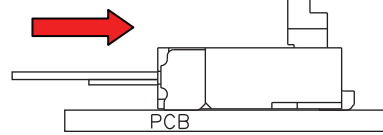
D

G				PROJECTION: 	GENERAL TOLERANCE .X = +/- 0.2 .XX = +/- 0.15	
F						
E						
D						
C				APPROVAL: JC	UNIT: MM	DESCRIPTION: DISCLAIMER
B					SCALE:	
A	10-SEP-14	PDF	QL		SHEET: 3/3	WERI PART NO: DISCLAIMER
REV	DATE	FILE	BY		DRAW: QL	

OPERATING INSTRUCTIONS:

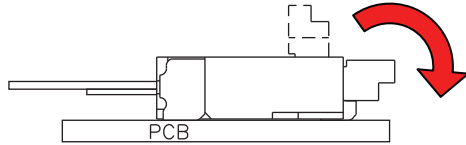
Joining step 1 :

FPC gets along with conductivity facing up.
The parallel one inserts it in the connector.



Joining step 2 :

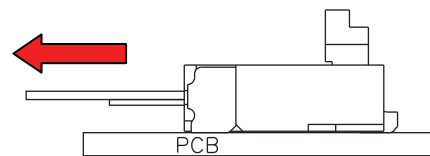
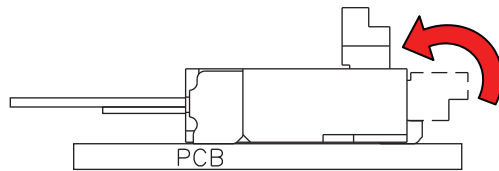
Press the actuator lightly and rotate down to make a reservation, until FPC is totally inserted and not moved.



Joining step 3 :

FPC removal

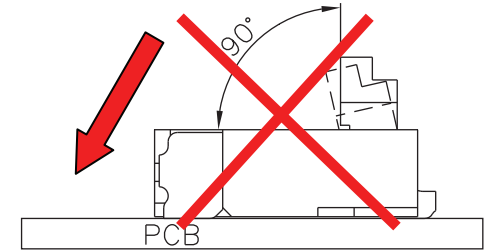
- 1.) Lift the actuator carefully
- 2.) withdraw FPC from .



PRECAUTIONS:

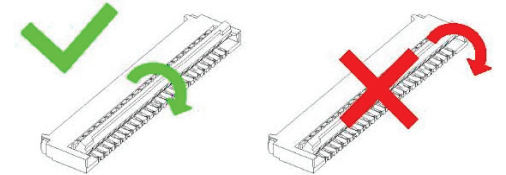
Warning!!

The whirling angle can't be greater than 90 degrees.



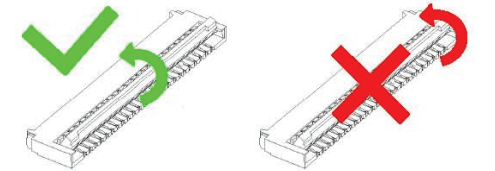
Warning!!

The strength of exerting pressure should be average and pushing actuator at the center.



Warning!!

Lift the area overlaid, should be average and lifting actuator at the center.



Warning!!

Operation of the actuator before mounting on the PCB is not recommended.

