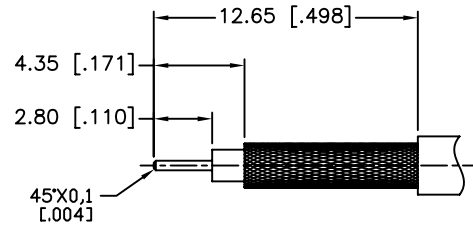
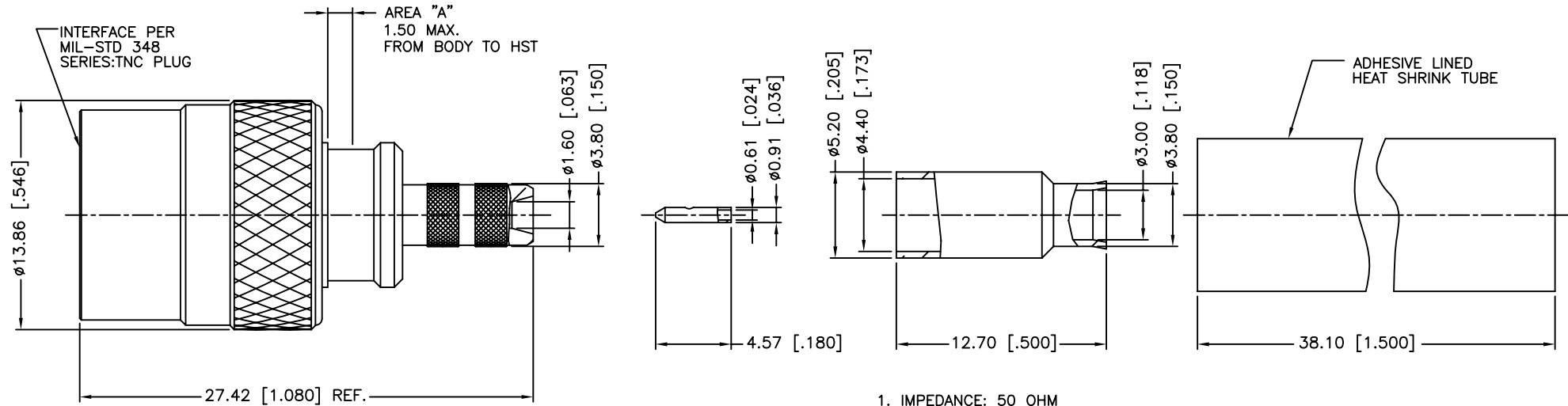


REV.	DATE	ECR NO.	DESCRIPTION
NC	12/12/12	XXXXXX	INITIAL RELEASE



RECOMMENDED
CABLE STRIPPING DIM'S



1. IMPEDANCE: 50 OHM
2. FREQUENCY RANGE: DC - 6 GHz
3. VSWR: 1.30 MAX. @ 0-3 GHz
4. DIELECTRIC WITHSTANDING VOLTAGE: 500 VRMS, MIN.
5. DURABILITY: 500 CYCLES MIN.
6. TEMPERATURE RANGE: -40°C TO +85°C
7. IP-67 COMPLIANT
8. CRIMPED FERRULE
HEX CRIMP SIZE .178"
9. CONTACT PIN CAN BE SOLDERED
OR USE 4-WAY INDENT TOOL #47001
10. INSULATOR RETENTION FORCE: 6 LBS MIN. TOWARDS INTERFACE DIRECTION
11. HEAT SHRINK TUBING SHOULD FULLY (360 DEG) COVER THE BUMP ON BODY AND END WITHIN AREA "A"
12. RECOMMENDED COUPLING TORQUE : 4-6 IN-LBS.
A QUANTIFIED TORQUE MEASUREMENT TOOL IS RECOMMENDED.

QTY	DESCRIPTION	MATERIAL	FINISH
1	SHRINK TUBE	BLACK	POLYOLEFIN
9	FERRULE	BRASS	NICKEL
8	CONTACT PIN	BRASS	GOLD
7	CONTACT	BERYLLIUM COPPER	GOLD
6	RETAINER RING	PHOSPHOR BRONZE	NICKEL
5	GASKET	SILICONE RUBBER	RED
4	O-RING	SILICONE RUBBER	RED
3	COUPLING NUT	BRASS	NICKEL
2	INSULATOR	PTFE	NATURAL
1	BODY	BRASS	NICKEL

UNLESS OTHERWISE SPECIFIED DIMENSIONS ARE IN MILLIMETERS. DIMENSIONS IN [] ARE IN INCHES AND FOR CUSTOMER REFERENCE ONLY.

UNLESS OTHERWISE SPECIFIED TOLERANCES FOR MILLIMETERS ARE:
0.5 - 8mm ± 0.20mm
8 - 30mm ± 0.40mm
30 - 120mm ± 0.50mm

UNLESS OTHERWISE SPECIFIED TOLERANCES FOR INCHES ARE:
.020 - .315 = ± 0.007"
.315 - 1.180 = ± 0.015"
1.180 - 4.724 = ± 0.020"

DO NOT SCALE DRAWING

APPROVALS	DATE
DRAWN M.ZHANG	12/12/12
CHECKED	
ISSUED	
SHEET 1 OF 1	
CAD FILE C:/CONNEX/122116-15.DWG	

Amphenol Connex

PART DESCRIPTION
**TNC CRIMP PLUG, IP-67 COMPLIANT
(FOR RG-174/U,188/U,316/U CABLE)**

PART NO. **122116-15**

DWG. NO. 122116-15.DWG REV. NC SIZE A SCALE NA