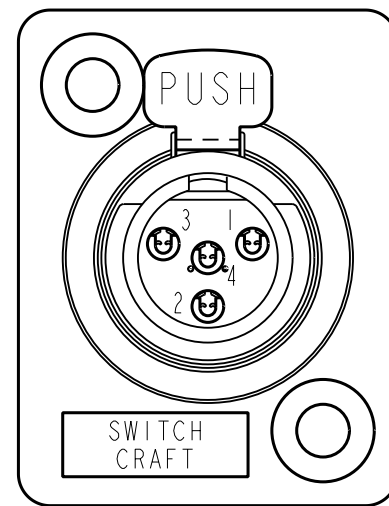
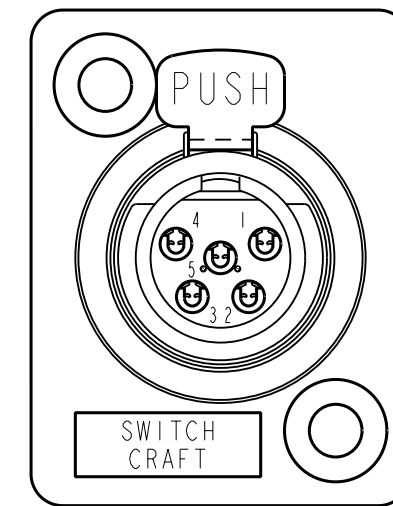


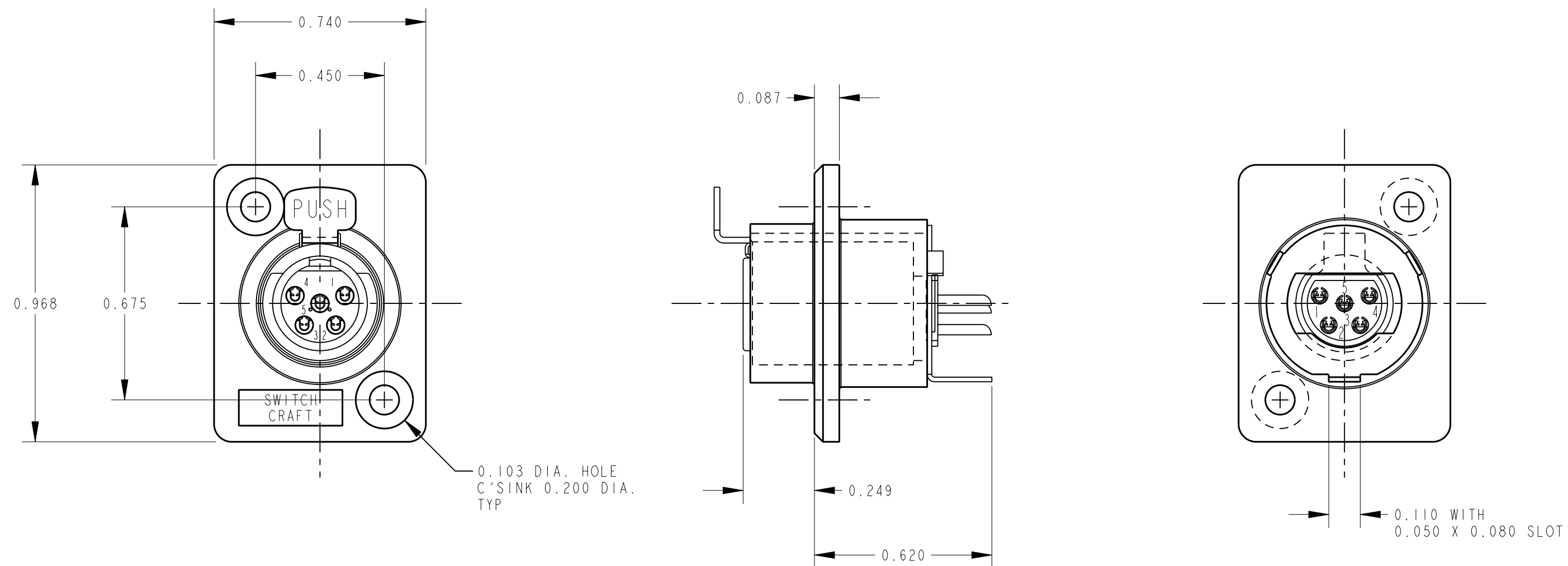
3 PIN



4 PIN



5 PIN



MATERIALS:

- LOCK RING - BRASS, ELECTRO TIN PLATED
- PANEL HOUSING - ZINC, NICKEL PLATED
- INSULATORS - PPS
- HOUSING - BRASS, NICKEL PLATED
- LATCH - BERYLLIUM COPPER, NICKEL PLATED
- RELEASE LEVER - STEEL, NICKEL PLATED
- LEVER SPRING - STEEL, COPPER PLATED
- CONTACTS - BERYLLIUM COPPER, SILVER PLATED

NOTE:

1. ALL DIMENSIONS FOR REFERENCE PURPOSES ONLY UNLESS OTHERWISE SPECIFIED.

CUSTOMER DRAWING

CAD/CAM DWG. NO.
TY_F_CD
SHEET 1 OF 1

★ STAR SYMBOL DENOTES CRITICAL DIMENSION. SEE S/C ENGINEERING STANDARD ES-0001				THIS DRAWING DESCRIBES A DESIGN CONSIDERED PROPRIETARY IN NATURE, DEVELOPED AND MANUFACTURED BY SWITCHCRAFT INC. AND IS RELEASED ON A CONFIDENTIAL BASIS FOR IDENTIFICATION PURPOSE ONLY.					
UNLESS OTHERWISE SPECIFIED				SIZE	WIDTH	MULT	LBS./M	TEMPER	
E	ECO #20090	7-3-97	OM	JJ	FINISH		MATERIAL		
D	ECO #20089	7-3-97	OM	JJ	SPEC. NO.		SPEC. NO.		
C	ECO #20088	7-3-97	OM	JJ	FIRST USED ON		SCALE		
B	ECO #19805	7-14-95	RC	GHJ	DATE DRAWN		BY		
A	FIRST DRAWN ECO #18467	3-30-95	SG	GHJ	3-30-95		SG		
ISSUE	CHANGE NO.	DATE	BY	APP'D	NAME		PART NO.		
REVISIONS				DO NOT SCALE DRAWING				TINI QG SERIES	
								TY*F	
								ISSUE	
								E	

