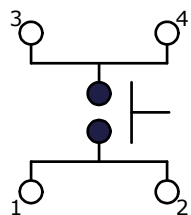
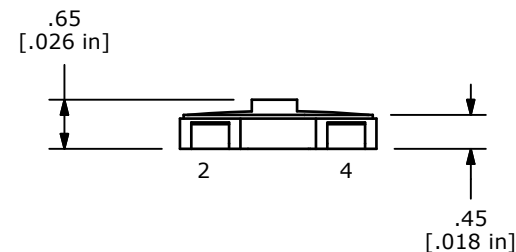
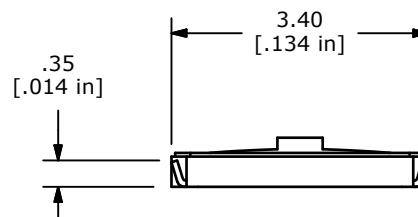
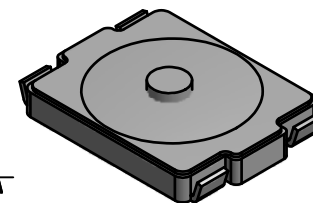
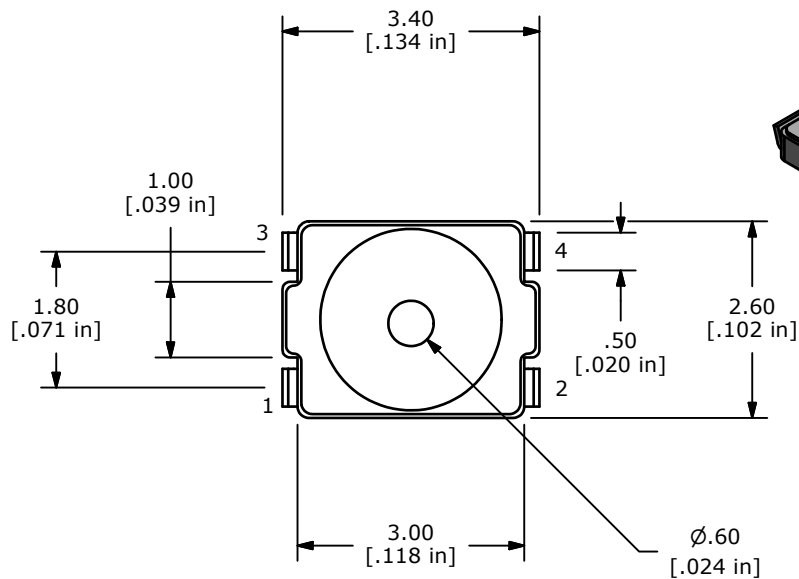


PCB LAYOUT

KEEP-OUT AREA
FOR ALL TRACES, PADS,
AND VIAS



CIRCUIT: SPST



NOTES:

1. ALL DIMENSIONS IN MM [INCH]
2. TERMINAL NUMBERS FOR REF. ONLY
3. CONTACT MATERIAL: SILVER
4. CONTACT RATING: 20mA; 15VDC
5. TRAVEL: 0.15 ±0.1mm
- ▲6. OPERATING FORCE: 100± 50 GRAMS
7. ELECTRICAL LIFE: 100,000 CYCLES
8. CONTACT RESISTANCE: 500mΩ MAX.
9. ▲ DENOTES CRITICAL PARAMETER
10. BOUNCE: 10m SECONDS MAX
11. INSULATION RESISTANCE: 100MΩ MIN.
12. DIELECTRIC STRENGTH: 250VAC FOR 1 MINUTE WITH NO BREAK DOWN
13. 2002/95/EC (ROHS) COMPLIANT; HALOGEN FREE
14. PACKAGING: TAPE & REEL, 8000 PARTS PER REEL.

C	21339	Revised Housing	12/30/13	rc
B	196700	UPDATE RATING	02/22/11	BMA
A	19657	New Release	2/7/11	BGL
REV	PCR NO	DESCRIPTION	DATE	BY



TITLE TL3700AF100QG

SCALE	DATE	DR	DWG	REV
10:1	2/7/2011	BGL	P003001	C

THE INFORMATION CONTAINED IN THIS DOCUMENT IS PROPRIETARY TO E-SWITCH AND IS NOT TO BE COPIED OR TRANSFERRED