


RAD-ISM-2400-ANT-VAN- 3-1-MCX

Order No.: 2885702

<http://eshop.phoenixcontact.de/phoenix/treeViewClick.do?UID=2885702>

Omni-directional antenna with vandalism protection, gain 3 dBi, degree of protection IP55, cable length 1.5 m, MCX connection (male), apex angle h/v 360°/85°, corresponding material available for panel mounting.

Commercial data	
GTIN (EAN)	 4 046356 096676
sales group	H179
Pack	1 pcs.
Customs tariff	85177019
Catalog page information	Page 620 (IF-2009)

Product notesWEEE/RoHS-compliant since:
12/03/2009

<http://www.download.phoenixcontact.com>
Please note that the data given here has been taken from the online catalog. For comprehensive information and data, please refer to the user documentation. The General Terms and Conditions of Use apply to Internet downloads.

Technical data	
General data	
Frequency range	2.4 GHz
Horizontal beamwidth	360 °
Vertical beamwidth	85 °

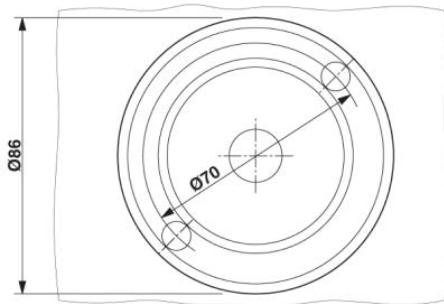
Impedance	50 Ω
Gain	3 dBi
Wind load	10 N (at 160 km/h)
Type of connection	MCX (male) with cable (1.5 m)
Degree of protection	IP55
Ambient temperature (operation)	-40 °C ... 80 °C
Ambient temperature (storage/transport)	-40 °C ... 80 °C
Width	86 mm
Height	43 mm
Housing material	Aluminum

Accessories

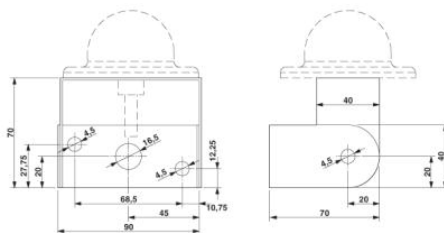
Item	Designation	Description
General		
2885870	RAD-ANT-VAN-MKT	Mounting material for wall mounting of OMNI omnidirectional antenna with protection against vandals

Diagrams/Drawings

Drilling plan/solder pad geometry



Dimensioned drawing



Address

PHOENIX CONTACT Deutschland GmbH
Flachmarktstr. 8
32825 Blomberg, Germany
Phone +49 5235 3 12000
Fax +49 5235 3 41200
<http://www.phoenixcontact.de>



© 2011 Phoenix Contact
Technical modifications reserved;