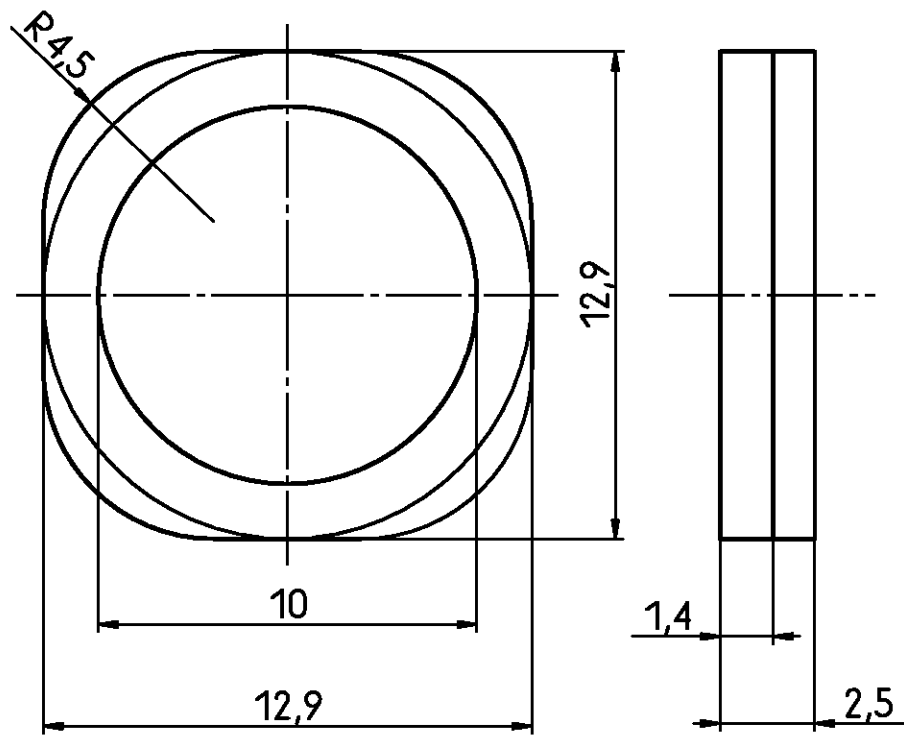


1 2 3 4

1 OBSOLETE PARTS: OBSOLETE CIS STREAMLINING PER D.RENAUD/D.SINISI



| | Old Part Number | Tyco Part Number | colour |
|------------|-------------------|------------------|--------|
| | V42254-A6210-L1 | 5-1393561-9 | grey |
| 1 OBSOLETE | V42254-A6210-L100 | 6-1393561-1 | black |



Tyco Electronics Corporation
Oostkamp - Belgium



LOC DIMENSIONS
GW IN MM

SCALE 5:1 WEIGHT

MATERIAL

PART NAME
bushing
D-Sub housing

| | |
|------|----------------|
| DATE | 01.08.88 |
| NAME | Vandewyngaerde |
| DEP. | PD Com P&SE |
| | EC |

PART NO.
V42254-A6210-L1-*27

| | | | | | | |
|----|---------------|----------|-----|---|---------------------------------|---------|
| A1 | ECO-09-026495 | 02DEC09 | AEG | TOLERANCE UNLESS SPECIFIED OTHERWISE | PART NO. V42254-A6210-L1-*27 | SHT. 1- |
| A | WO00/7013 | 03.07.00 | KV | | | |
| 01 | | 01.08.88 | VDW | | | |

REV. CHANGE ORDER DATE APP. customer drawing number: C 5-1393561-9 OF 1

1 2 3 4

THIS INFORMATION IS CONFIDENTIAL AND PROPRIETARY TO TYCO ELECTRONICS CORPORATION AND ITS WORLDWIDE SUBSIDIARIES AND AFFILIATES. IT MAY NOT BE DISCLOSED TO ANYONE, OTHER THAN TYCO ELECTRONICS PERSONNEL, WITHOUT WRITTEN AUTHORIZATION FROM TYCO ELECTRONICS CORPORATION, HARRISBURG, PENNSYLVANIA USA.

PROPRIETARY: