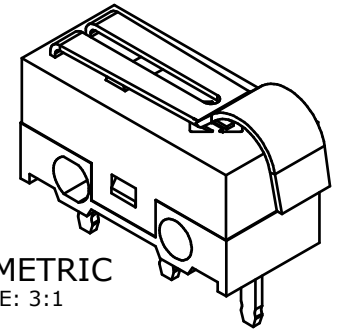
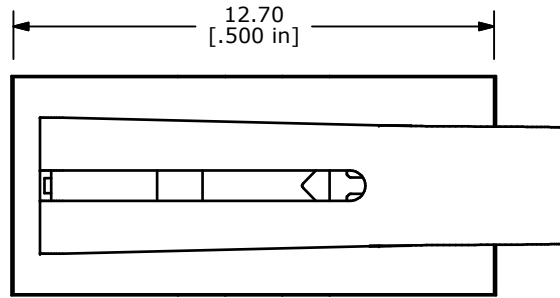
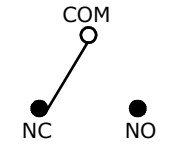


P.C. MOUNTING



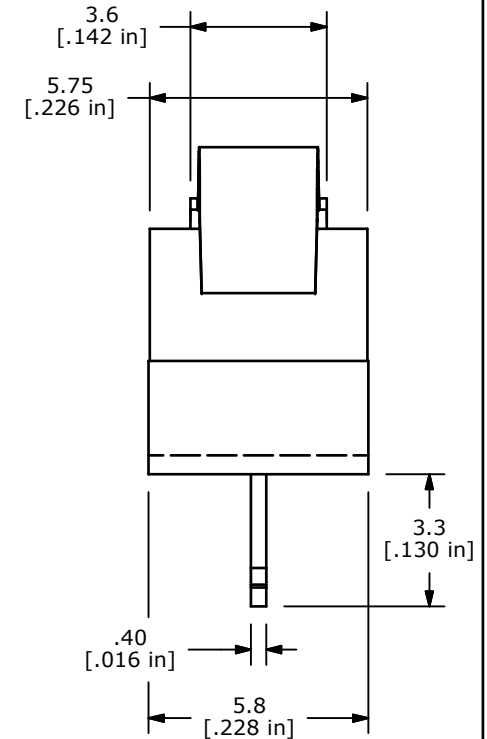
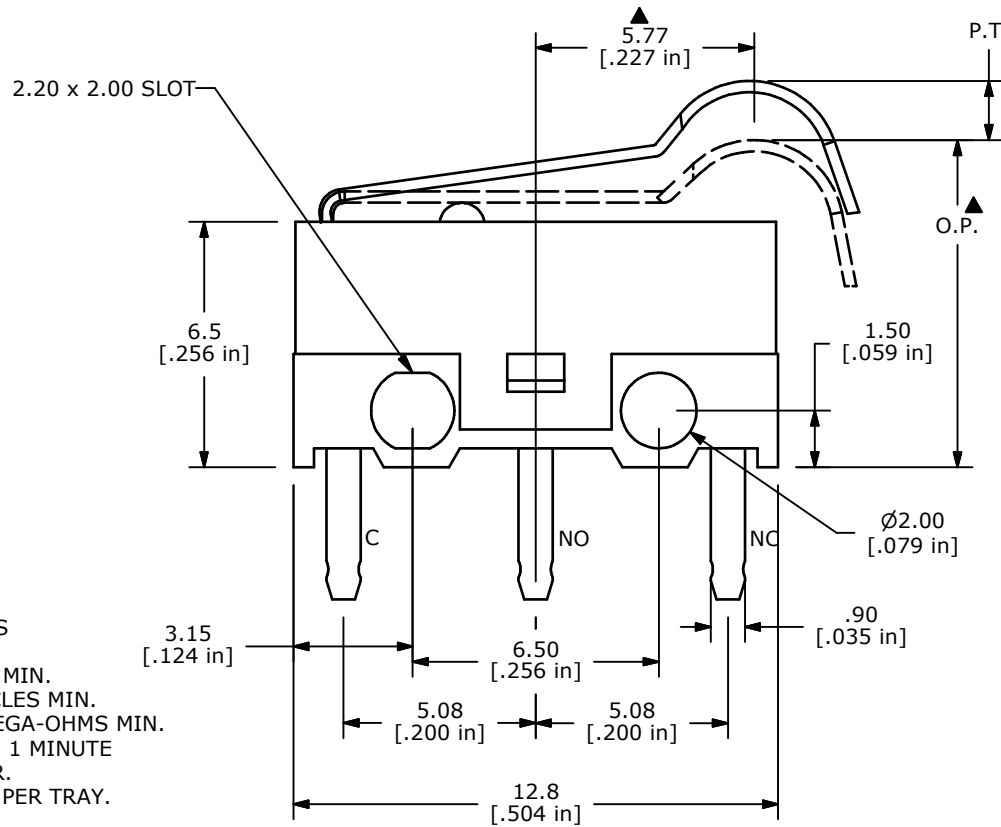
ISOMETRIC
SCALE: 3:1



CIRCUIT: SPDT

O.P. (MM)	P.T. (MM)
9.65 ± 0.8	1.35 MAX.

O.P. = OPERATING POINT
P.T. = PRE-TRAVEL



NOTES:

1. ALL DIMENSIONS IN MM [INCH]
2. GENERAL TOLERANCE: X.X=± 0.4
X.XX=± 0.25
- ▲ 3. RATING: 3A @ 125 VAC
1.5A @ 250VAC UL
- ▲ 4. OPERATING FORCE: 30± 10 GRAMS
5. OPERATING TEMP: -25°C TO 75°C
6. ELECTRICAL LIFE: 10,000 CYCLES MIN.
7. MECHANICAL LIFE: 1,000,000 CYCLES MIN.
8. INSULATION RESISTANCE: 100 MEGA-OHMS MIN.
9. DIELECTRIC STRENGTH: 500VAC - 1 MINUTE
10. ▲ DENOTES CRITICAL PARAMETER.
11. PACKAGED IN TRAYS, 120 PIECES PER TRAY.
12. 2002/95/EC (ROHS) COMPLIANT

REV	PCR NO	DESCRIPTION	DATE	BY
C	18157	REMOVE CE APPROVED FROM NOTES	6/24/08	BLR
B	18089	NOTE 11 WAS 1000 PIECES PER BAG.	5/9/08	RC
A	17876	RELEASE FOR PRODUCTION	11/29/07	BLR



TITLE SS0750303F030P1A

THE INFORMATION CONTAINED IN THIS DOCUMENT IS PROPRIETARY TO E-SWITCH AND IS NOT TO BE COPIED OR TRANSFERRED

SCALE	DATE	DR	DWG	REV
4:1	6/24/2008	BLR	Q971006	C