

GEN. ST.	01	02	03	04	05	06	07	08	0D	50	60	70	80	90																	
INT. ST.	10	11	12	13	14	18	20	31	32	33	34	38	39	40	42	43	44	45	46	48	56	70	72	73	75	76	81	82	83	84	88

REV.	DATE	DESCRIPTION	BY	C'K'D'
A	2001-09-14	CONVERSION REVISION 03	KN	
B	2002-05-28	EC B20086	MF	
C	2005-10-17	105-0196	ALEX B	BKP
D	2006-08-09	106-0145	VIVEK	BKP

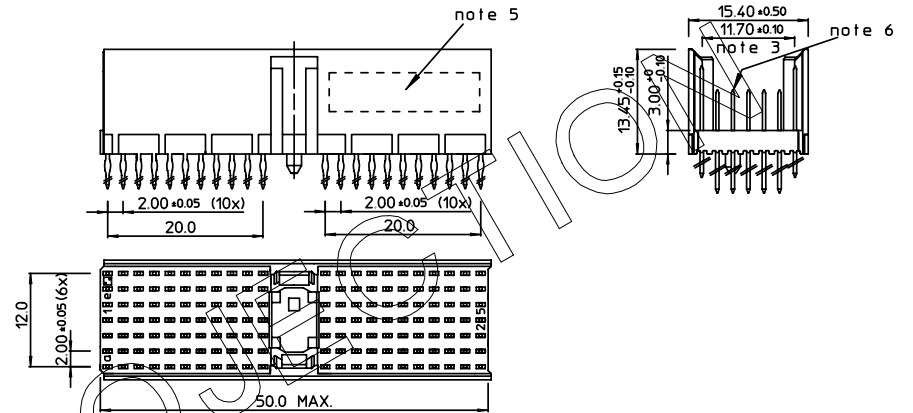
LOADING PATTERN MATING SIDE

f	6	6	6	6	6	6	6	6	6		6	6	6	6	6	6	6	6	6	6	
e	6	5	5	6	5	A	G	A	A	A	A	A	A	A	A	A	A	A	A	G	G
d	6	5	5	6	5	A	G	A	A	A	A	A	A	A	A	A	A	A	A	G	G
c	6	5	5	6	5	A	G	A	A	A	A	A	A	A	A	A	A	A	A	G	G
b	6	5	5	6	5	A	G	A	A	A	A	A	A	A	A	A	A	A	A	G	G
a	6	5	5	6	5	A	G	A	A	A	A	A	A	A	A	A	A	A	A	G	G
z	0	0	0	0	0	0	0	0	0	0	0	0	0	0	0	0	0	0	0	0	0

POS 0 1 5 10 15 20 25

NOTE : NOT TO BE MATED WITH A FREE BOARD CONNECTOR.  
LEVEL 3 IN ROW B IS NOT ALLOWED PER IEC 1076-4-101.

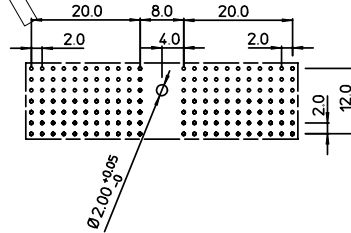
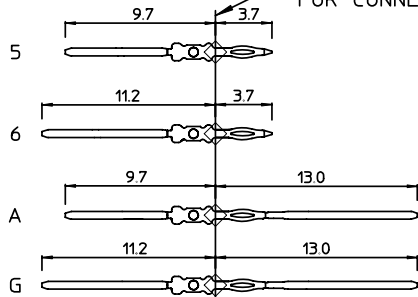
LOADED CONNECTOR ASSEMBLY  
(FOR EXAMPLE)



CONTACT OVERVIEW

SEATING PLANE FOR CONNECTOR

LAY-OUT P.C.B.-HOLE



LEAD FREE INDICATOR : LF = LEAD FREE  
(DIGIT 15 & 16)

HM2P07PKM2L5

PLATING CODE (DIGIT 13 AND 14)  
(REF DWG No. BS,C ,201844,003)

NOTES:

1. THIS PRODUCT IS CSA APPROVED.
2. THIS PRODUCT IS UL RECOGNIZED.
3. MEASURED AT THE BOTTOM.
4. MATERIAL CONTACT: PHOSPHORBRONZE  
HOUSING: CREAM WHITE GLASSFILLED POLYESTER UL-94V0
5. CONNECTOR PRINTED WITH P/N AND DATE CODE.
6. FOR ACTUAL CONTACT LOADINGS, SEE LOADING PATTERN MATING SIDE.
7. SHAPE OF CONNECTOR HOUSING CAN ALTER DEPENDING ON PRODUCTION LOCATION.
8. THE PRODUCT (LF) MEETS EUROPEAN UNION DIRECTIVES AND OTHER COUNTRY REGULATIONS AS DESCRIBED IN GS-22-008
9. FOR RECOMMENDED PTH DIMENSIONS REFER DRAWING : BS,A ,201572,001

EUROPEAN

1DEC ±0.2 2DEC ±0.1 ANGLES ±1°	APPR.	DATE	SIGN.	MPACS 5+2R STR HDR SG PF ASSY TYPE A
WE RESERVE THE RIGHT TO CHANGE DIMENSIONS OR REQUIREMENTS WITHOUT PRIOR NOTICE.	DRAFT	2000-10-02	M.Fret	CAT. No. HM2P07PKM2L5----
ALL DIMENSIONS IN MM	CHECKED			www.fciconnect.com
	PROD. MGR			SCALE
	PR. ENG. MGR			BS,C ,202788,047
	PR. MGT. MGR			

THIS IS OUR EXCLUSIVE PROPERTY. IT IS NOT TO BE COPIED, REPRINTED OR DISCLOSED TO A THIRD PARTY, NOR USED FOR MANUFACTURING WITHOUT OUR WRITTEN CONSENT, AND HAS TO BE RETURNED TO US IN CASE OF NO USAGE

DIT IS ONZE EIGENDOM EN MAG NOCH NAGEMAAKT. HERDRUKT. OVERGEMAAKT AAN DERDEN. NOCH VOOR FABRIKATIE GEBRUIKT WORDEN, ZONDER ONZE SCHRIFTELIJKE TOELATING. BIJ NIET GEBRUIK IS TERUGZENDING VERPLICHT.