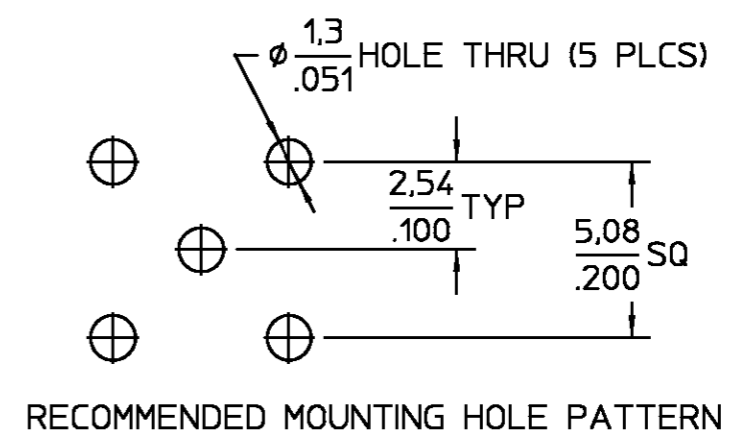
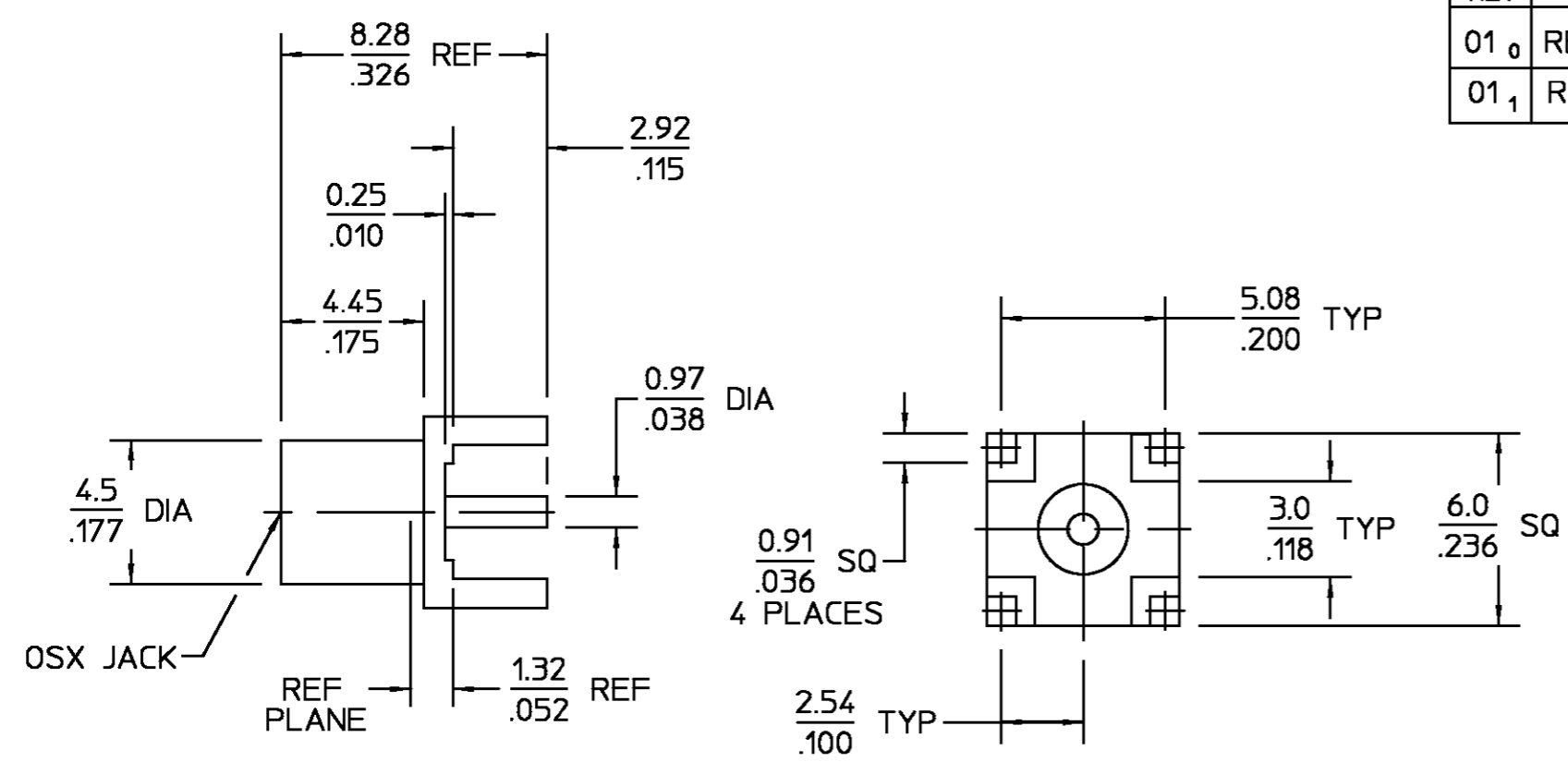


REVISIONS			
REV	DESCRIPTION	DATE	APPROVED
01 ₀	RELEASED	08/25/95	<i>[Signature]</i>
01 ₁	REVISED	DM 3/15/99	<i>[Signature]</i> 3/16/99



RECOMMENDED MOUNTING HOLE PATTERN

CAPTURED CENTER CONTACT

ELECTRICAL	MECHANICAL	ENVIRONMENTAL	HOUSING	DIELECTRIC	CENTER CONTACT	COMPONENT	MATERIAL	FINISH
Nominal Impedance (Ohms) <u>50</u> Frequency Range (GHz) <u>DC TO 6.0</u> Voltage Rating (VRMS MAX) <u>335 @ Sea level</u> VSWR <u>N/A</u> Insertion Loss <u>N/A</u> Corona, 70,000 Ft (VRMS MIN) <u>250</u> D.W.V. (VRMS MIN) <u>1000</u> Contact Resistance Center Contact (Milliohms MAX) <u>5.0</u> Outer Contact (Milliohms MAX) <u>1.0</u> RF High Potential (VRMS MIN @ 5 MHz) <u>670</u> I.R. (Megohms Min) <u>10,000</u>	Force to Engage: (Lbs) <u>3.4 MAX</u> Force to Disengage: (Lbs) <u>1.77 MIN - 4.5 MAX</u> Center Contact Captivation: <u>Axial 4.5lbs @ 1 minute</u> <u>with .006" displacement</u> <u>XX.XX = mm</u> <u>.XXX = in</u>	Temperature Rating <u>-65°C to +165°C</u> Vibration <u>MIL-STD-202, Method 204,</u> <u>Condition B</u> Thermal shock <u>MIL-STD-202, Method 107,</u> <u>Condition B</u> Moisture Resistance <u>MIL-STD-202, Method 106</u> Corrosion <u>MIL-STD-202,</u> <u>Method 101, Condition B,</u> <u>48 Hrs</u>	BRASS, PER ASTM-B-16 HALF HARD TFE FLUOROCARBON PER ASTM-D-1457 BERYLLIUM COPPER PER ASTM B 196, ALLOY C17300, CONDITION H	GOLD PLATE PER MIL-G-45204 N/A GOLD PLATE PER MIL-G-45204	UNLESS OTHERWISE SPECIFIED DIMENSIONS ARE IN MILLIMETERS TOLERANCE ON DEC ANGLES ±0.13 ±°	DRAWN BY <i>[Signature]</i> DATE <u>8/25/95</u> CHECKED BY APP'D BY <i>[Signature]</i> <u>08/25/95</u>	AMP Incorporated 140 Fourth Avenue Waltham, MA 02451-7599	TITLE <u>OSX PRINTED WIRING BOARD JACK</u> <u>RECEPTACLE STRAIGHT TERMINAL</u> SIZE <u>B</u> CODE DENT NO. <u>26805</u> 5862-5002-09 REV <u>01₁</u> SCALE <u>5:1</u> SHEET 1 OF 1