

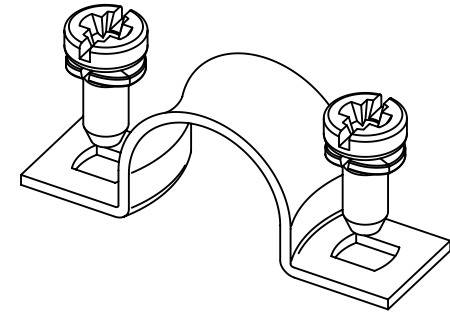
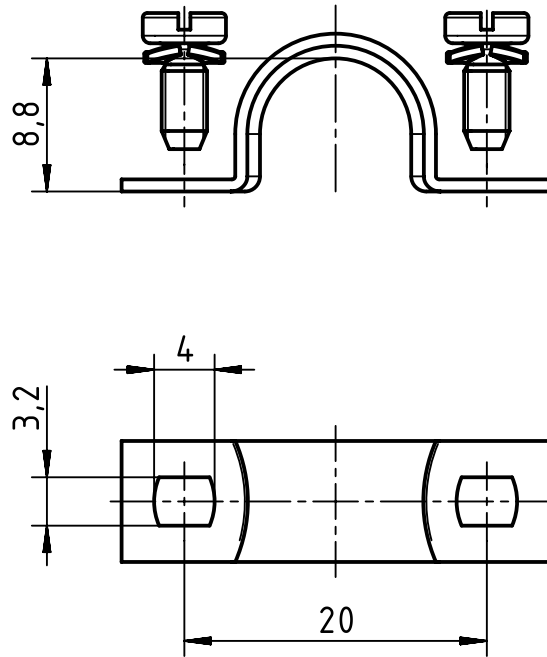
1 2 3 4 5 6

A


B

C

D



range of delivery: clamp, 2x M3 screws with washer

	All rights reserved Department EL PD - DE	All Dimensions in mm Original Size DIN A4		Scale 2:1	Free size tol.		Ref.	
		HARTING Electric GmbH & Co. KG D-32339 Espelkamp	Created by RULLKOETTER	Inspected by SCHNIEDER	Standardisation RUETERA	Date 2014-11-24	State Final Release	
			Title Clamp for 10 mm cable diameter Ground Te				Doc-Key / ECM-Nr. 100102222/UGD/005/B 500000082322	
			Type TB	Number 09 00 000 5342			Rev. B	Page 1/1